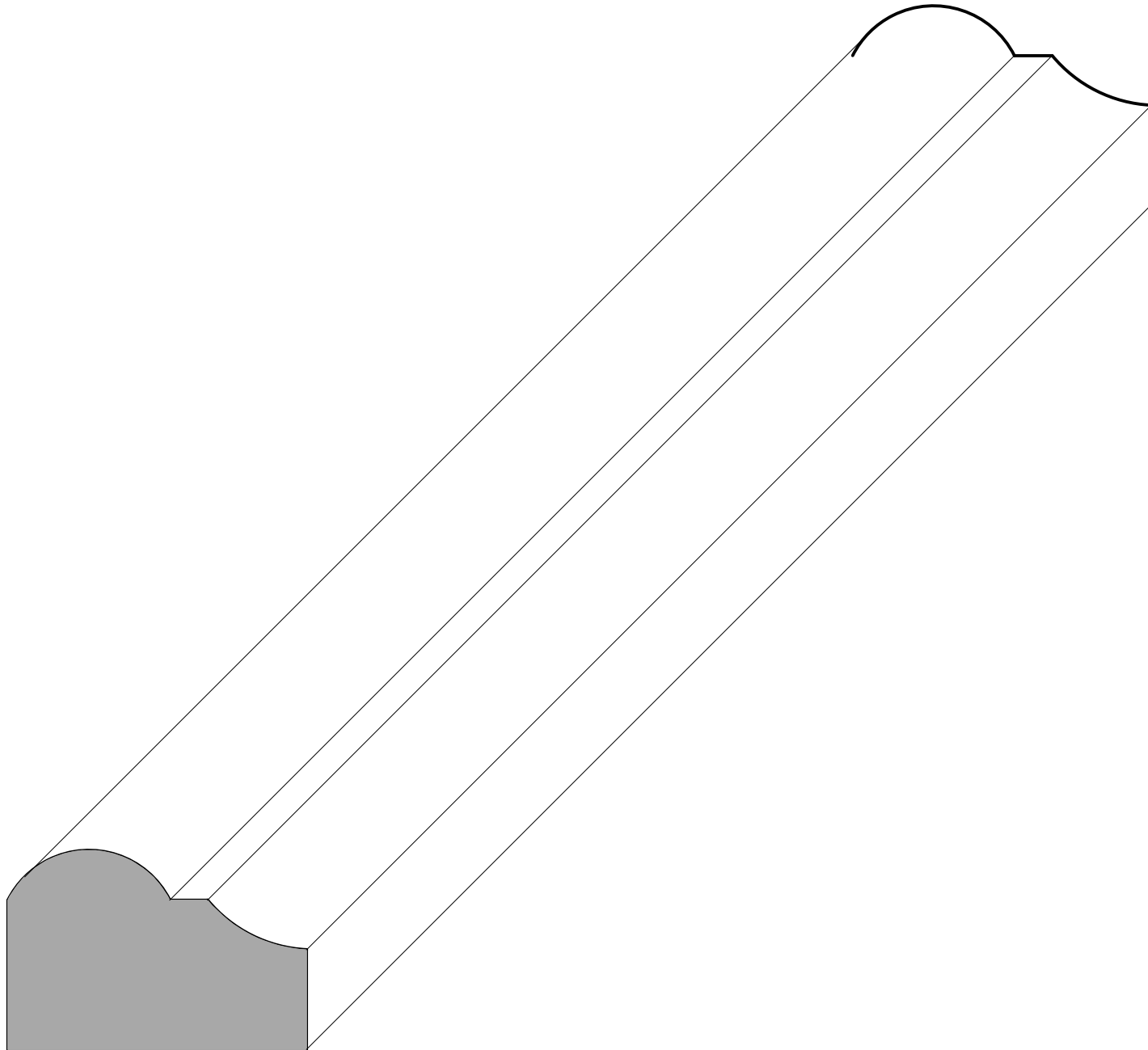
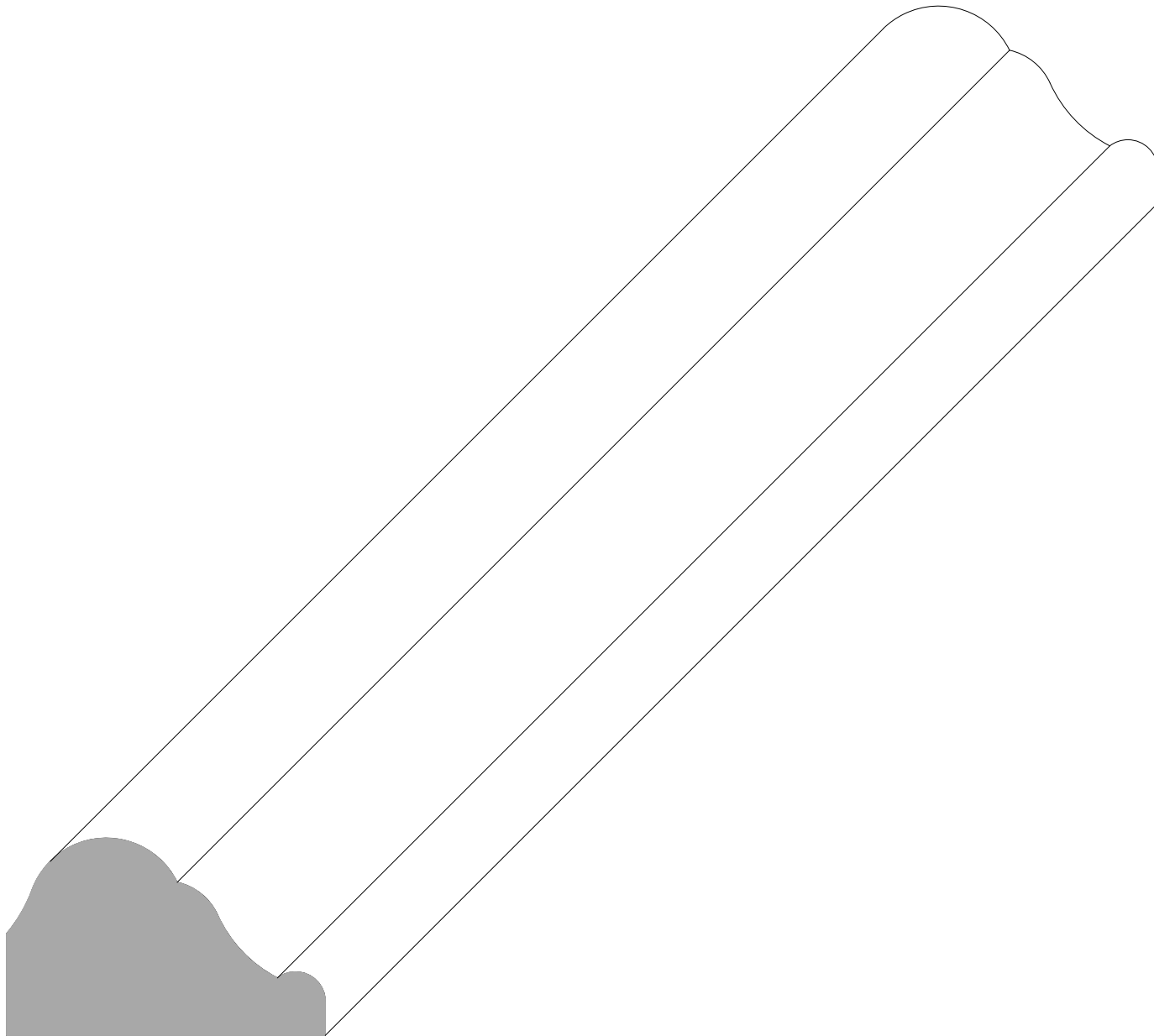


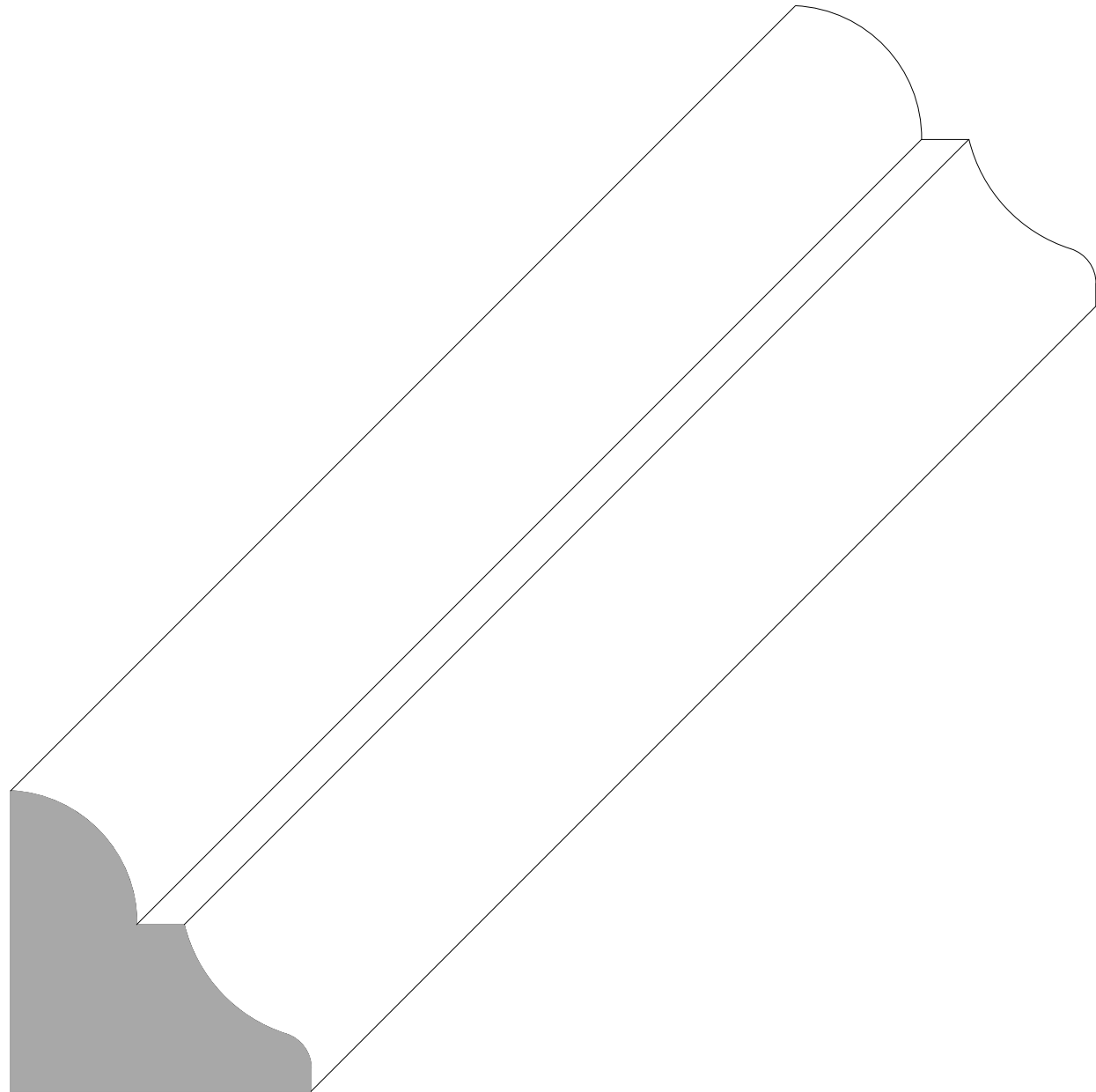
PM 0751 1/2 x 3/4



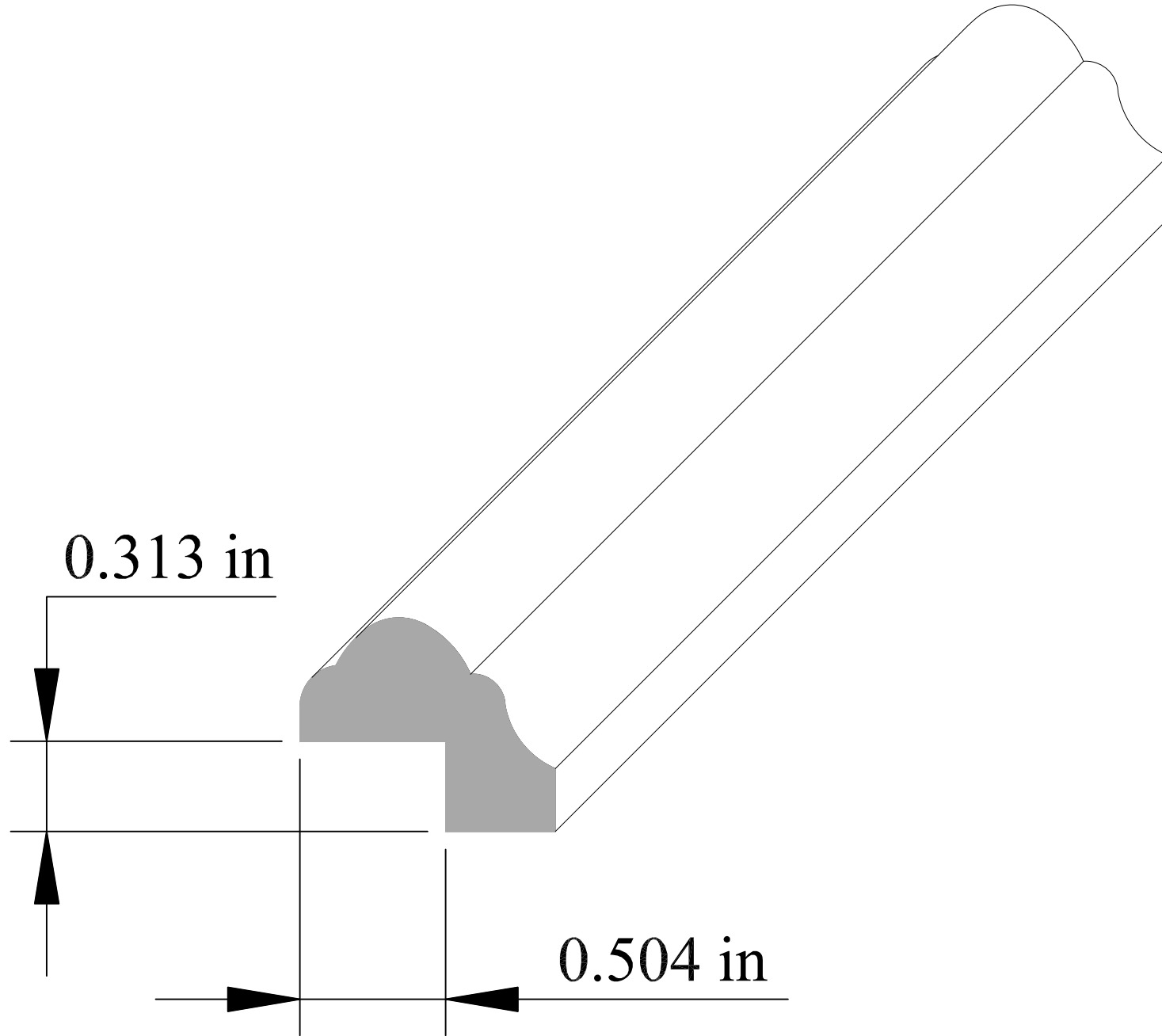
PM 0812 1/2 X 13/16



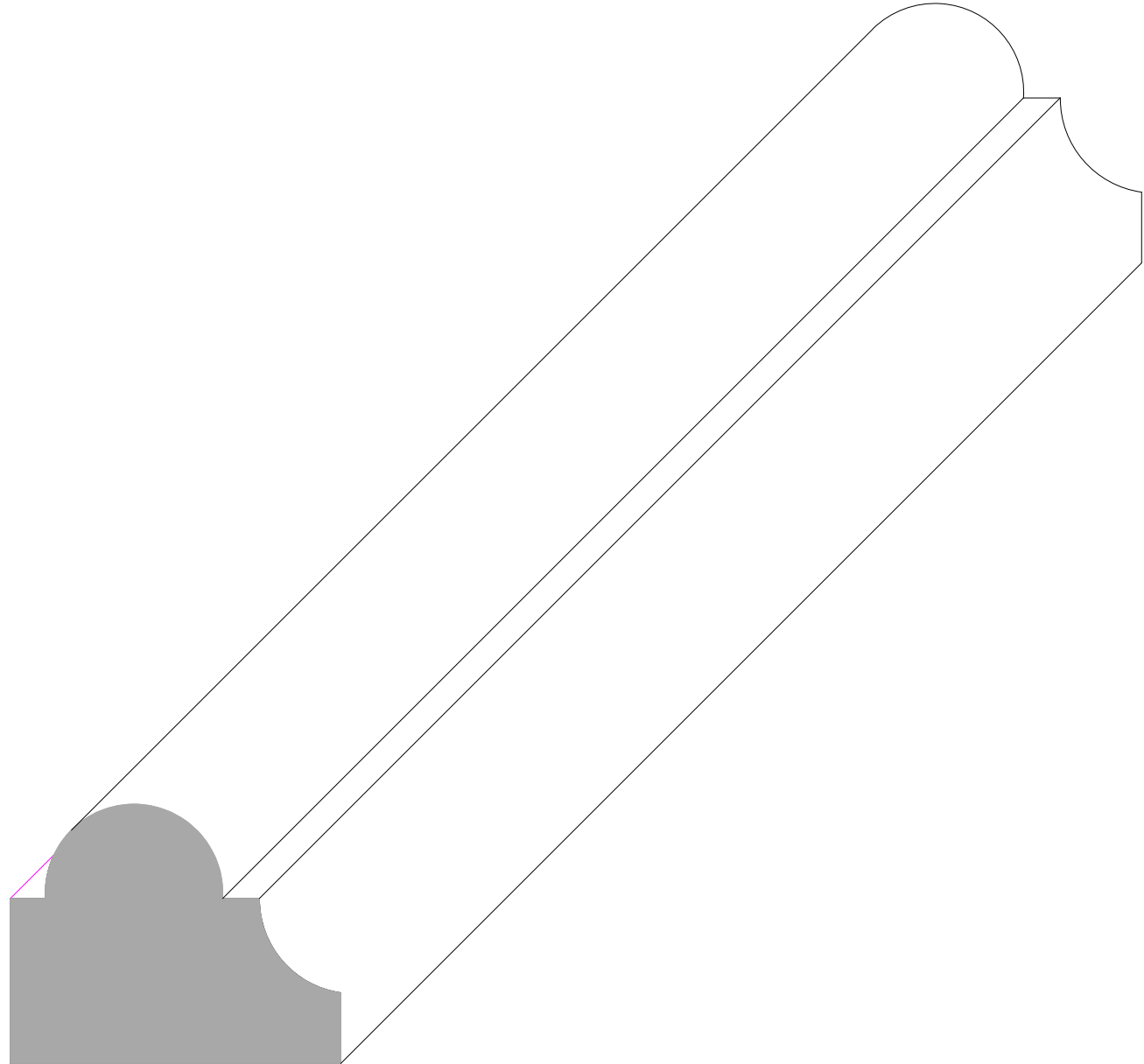
PM 0817 13/16 x 13/16



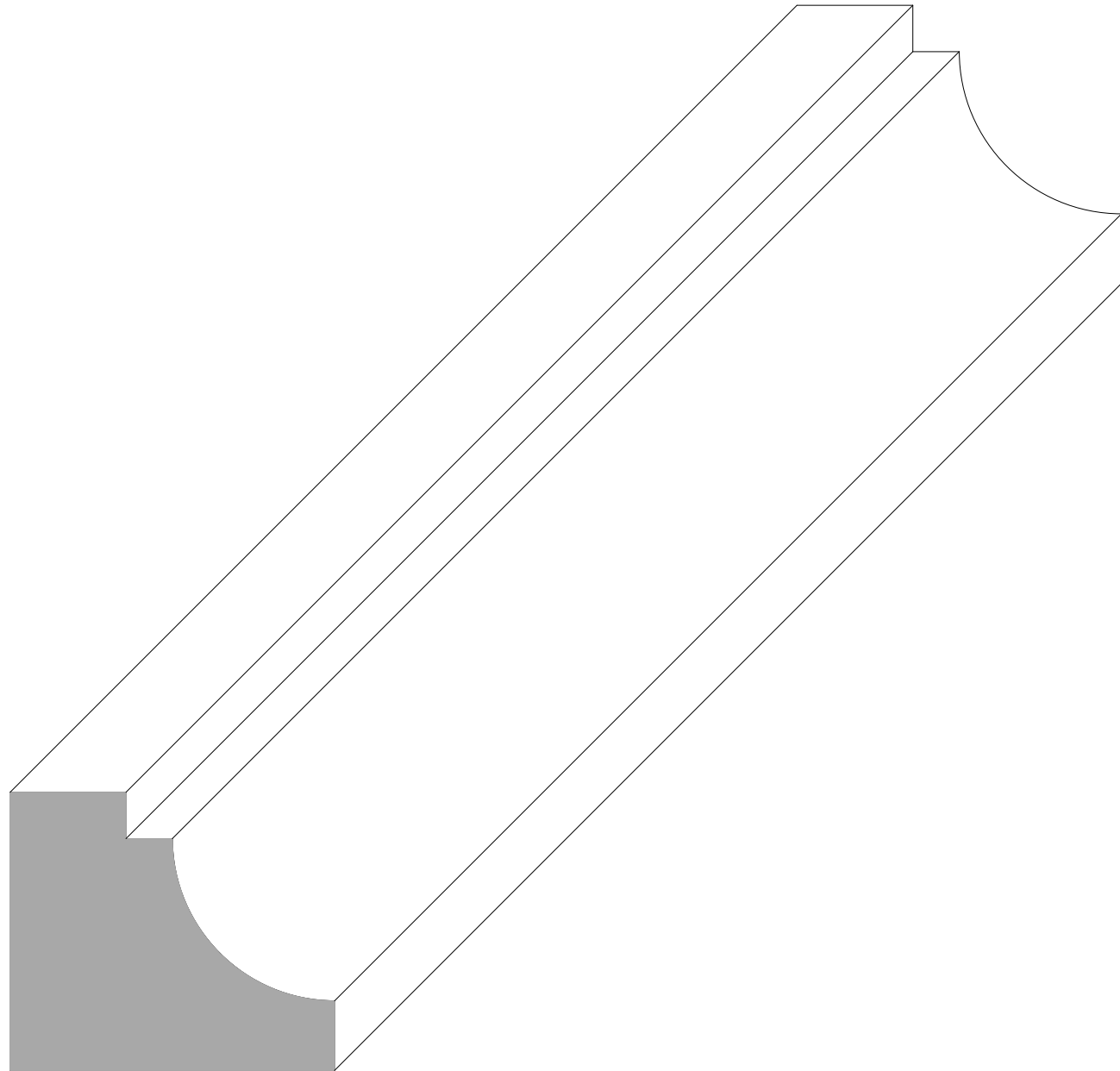
PM 0876 3/4 X 7/8



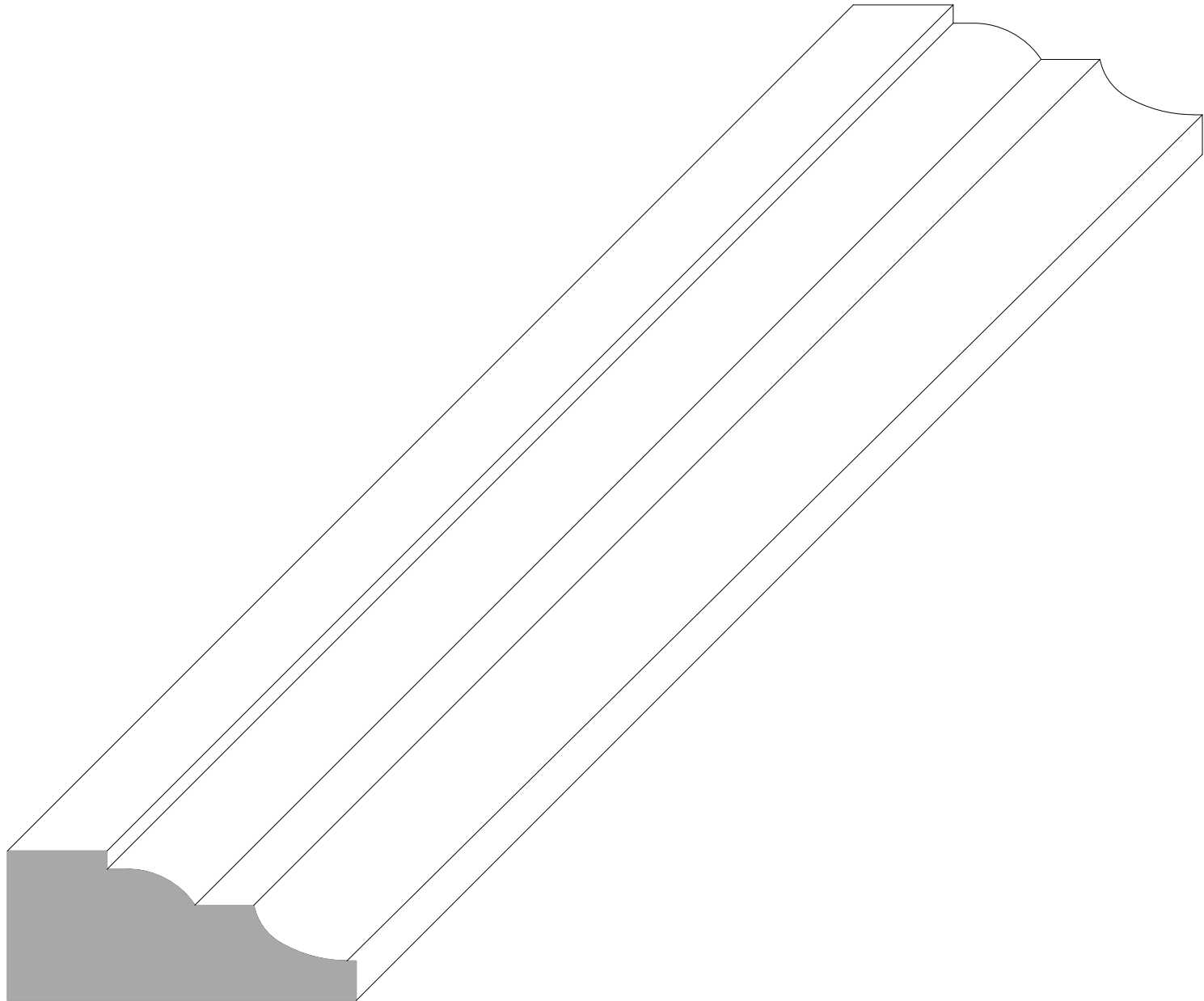
PM 0879 11/16 x 7/8



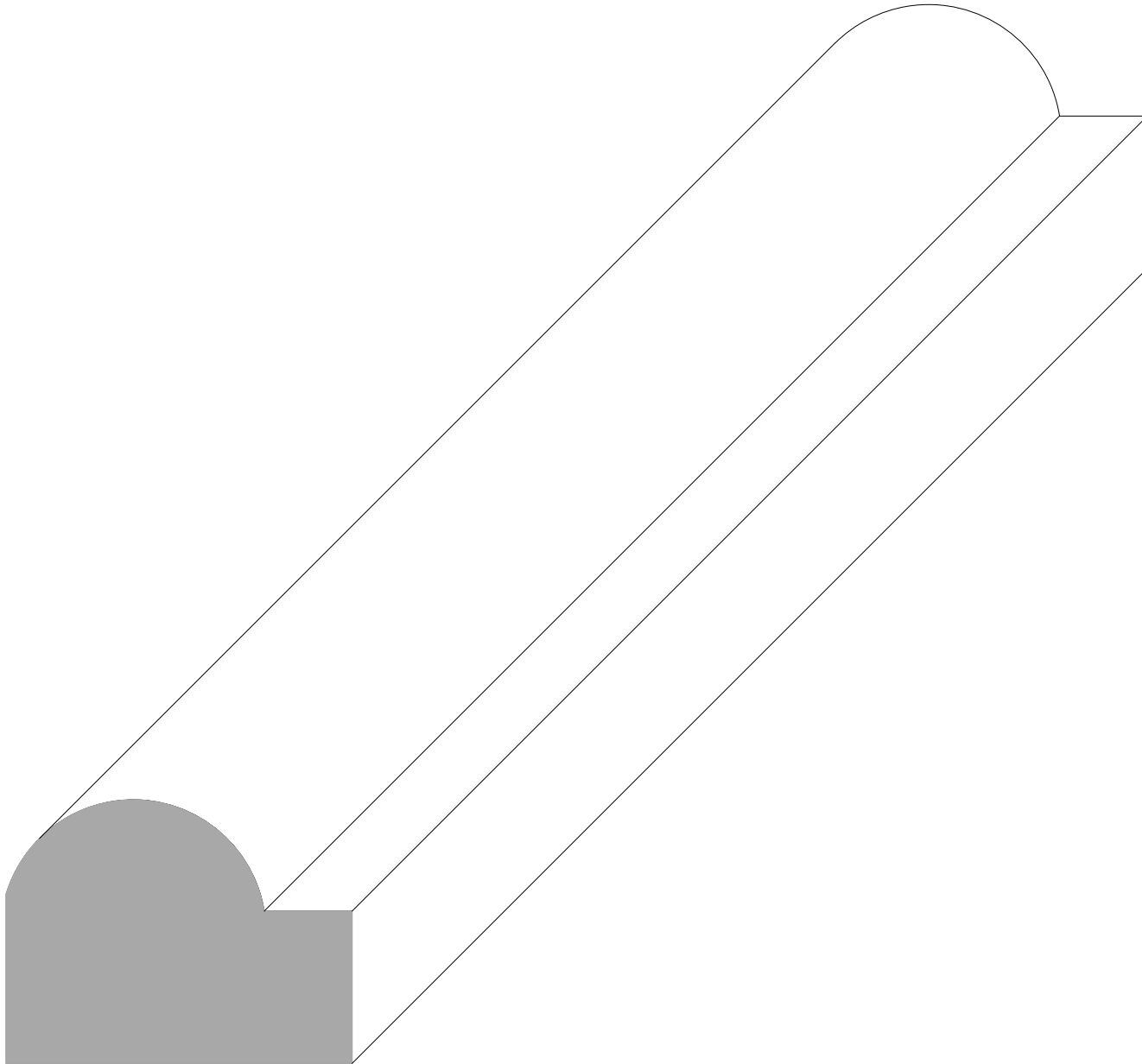
PM 0880 3/4 X 7/8



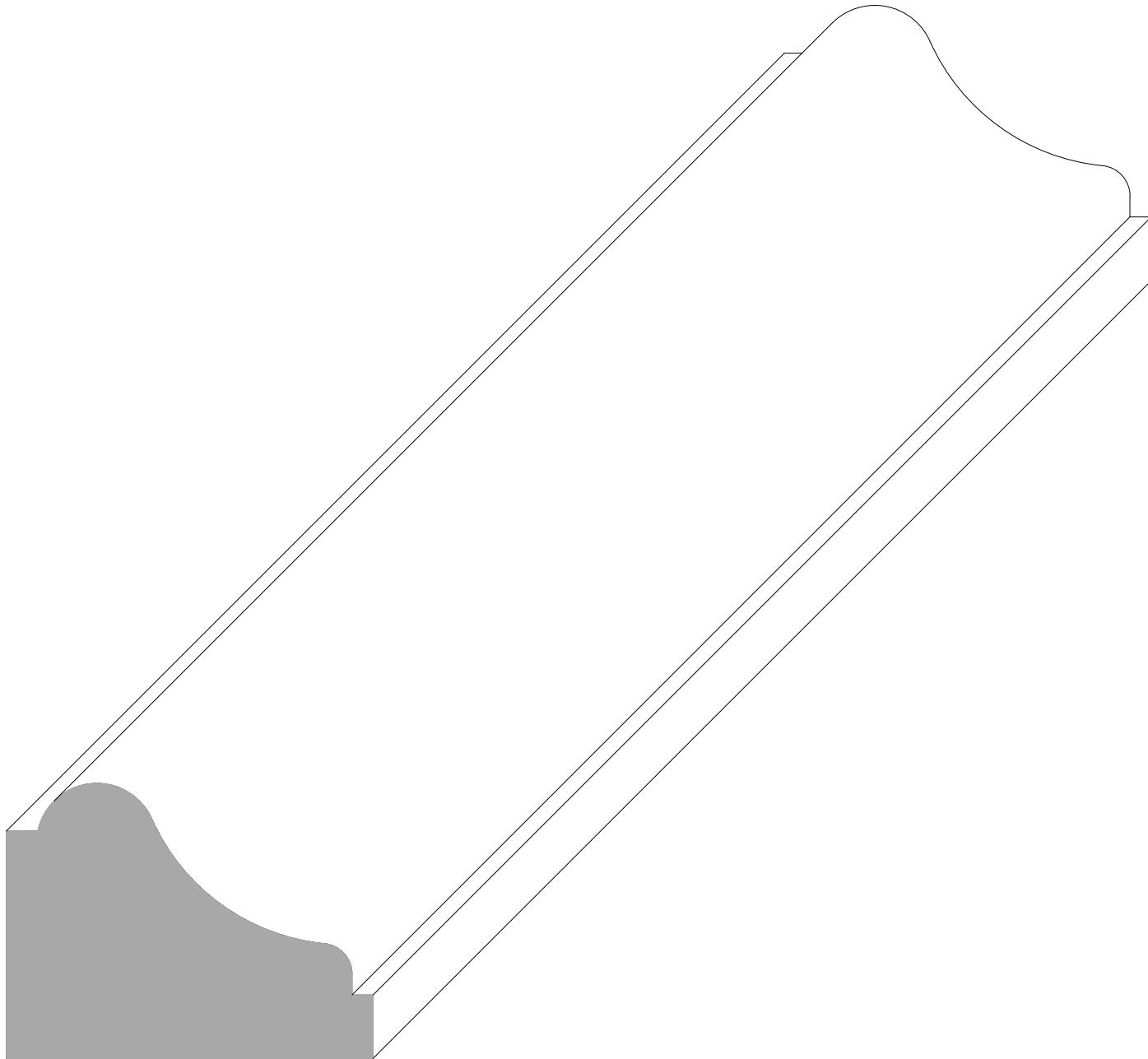
PM 0881 $\frac{3}{8}$ x $\frac{7}{8}$



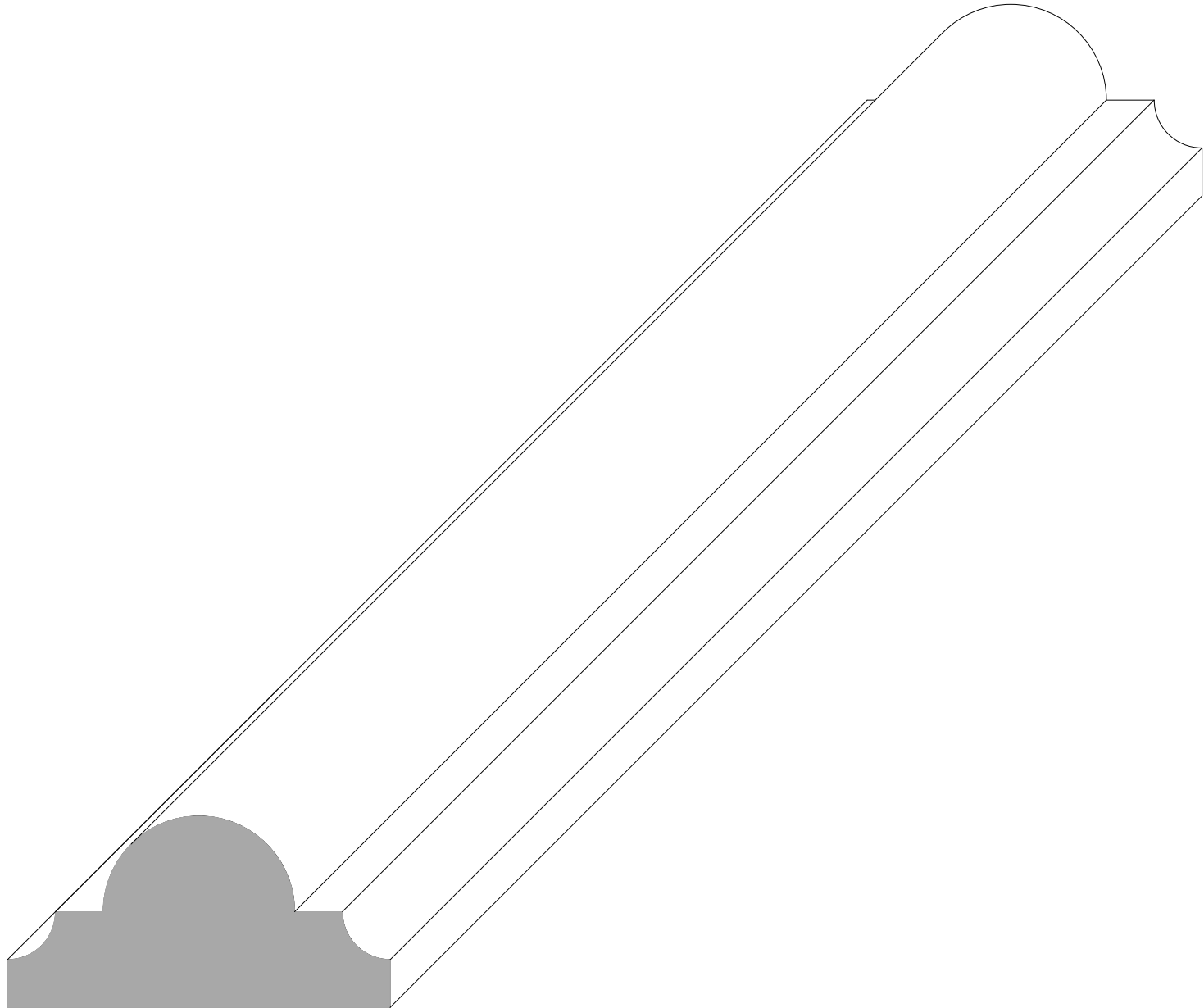
PM 0922 45/64 x 59/64



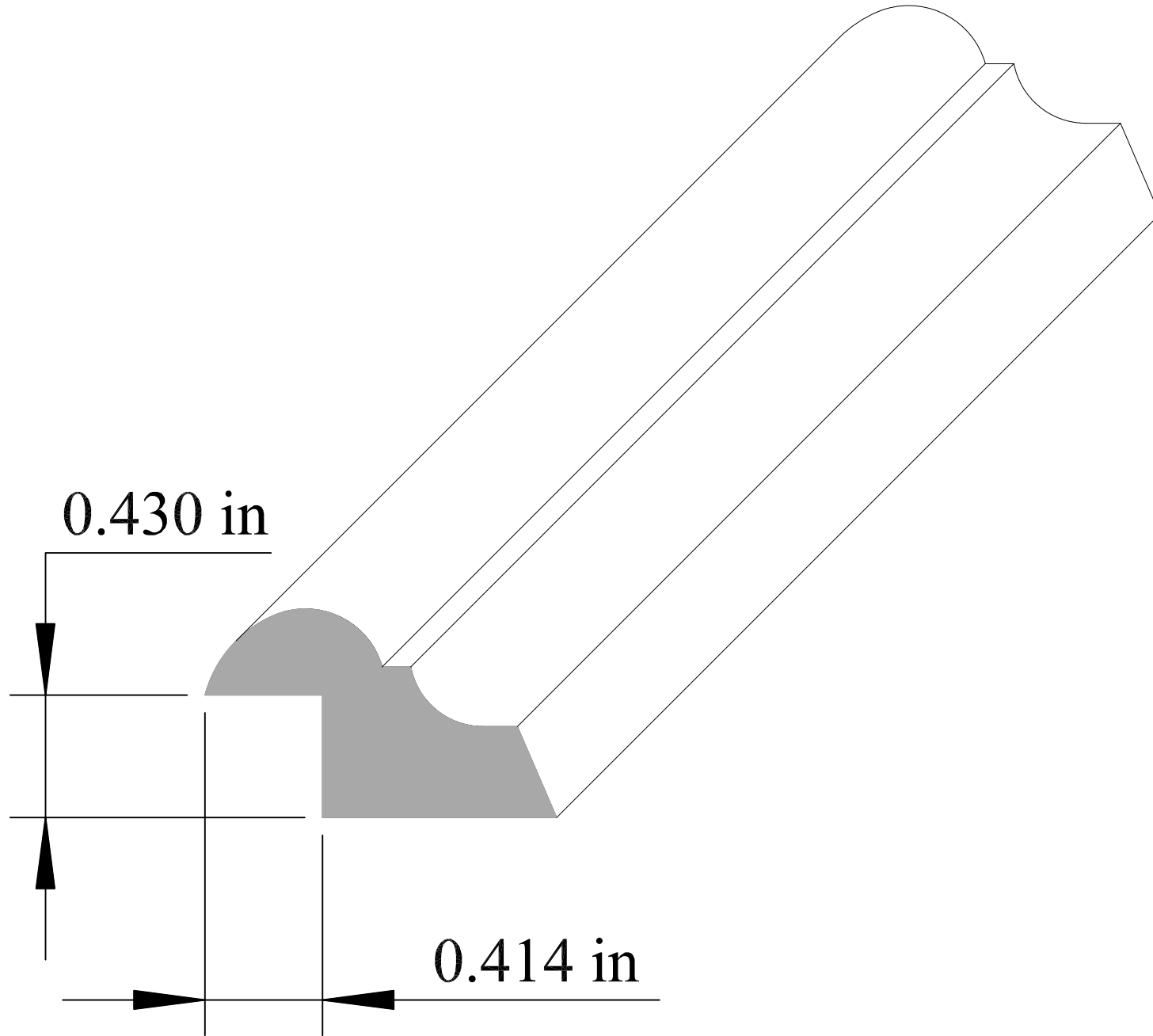
PM 1012 3/4 x 1



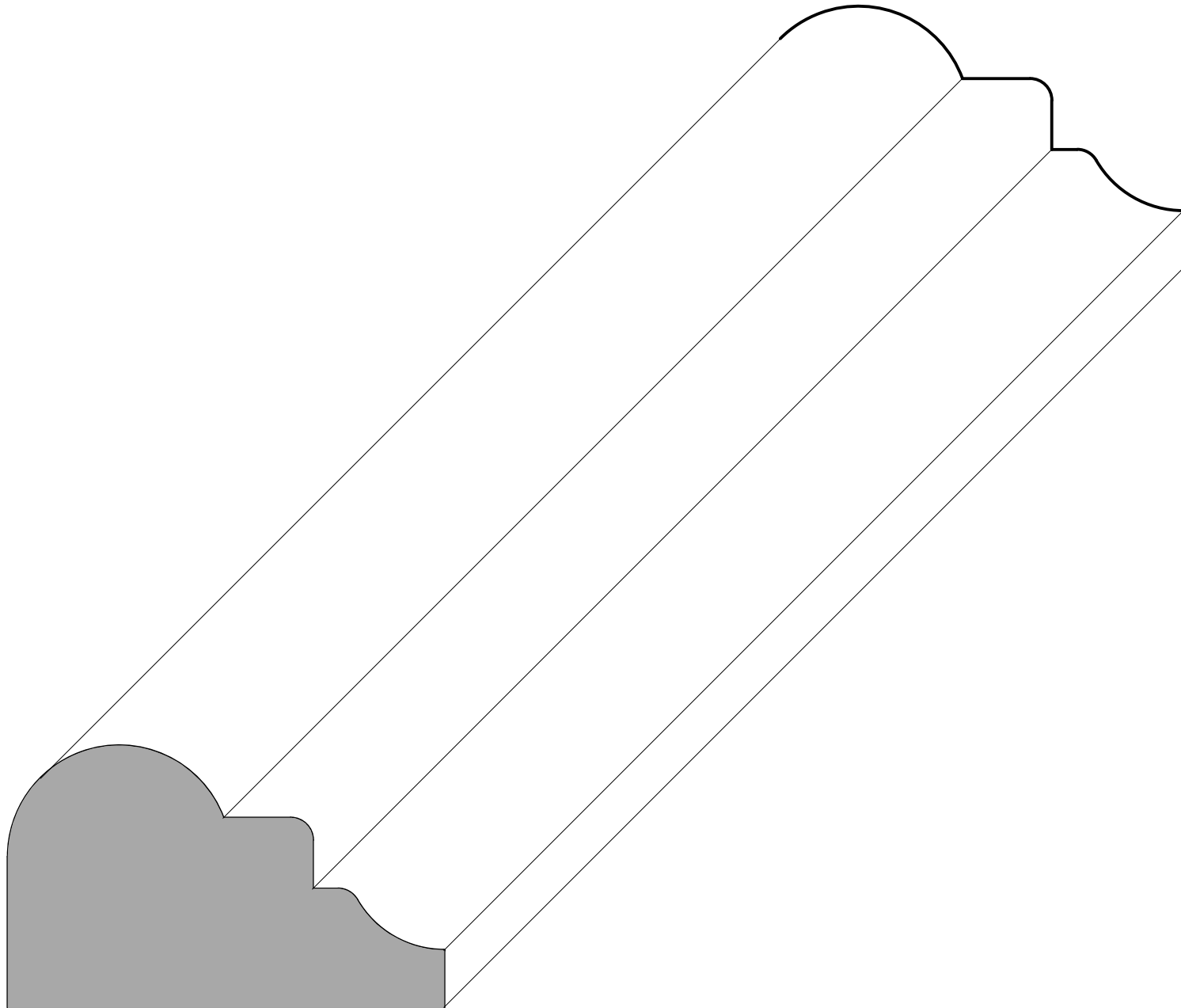
PM 1013 1/2 x 1



PM 1237 .733 x 1.237

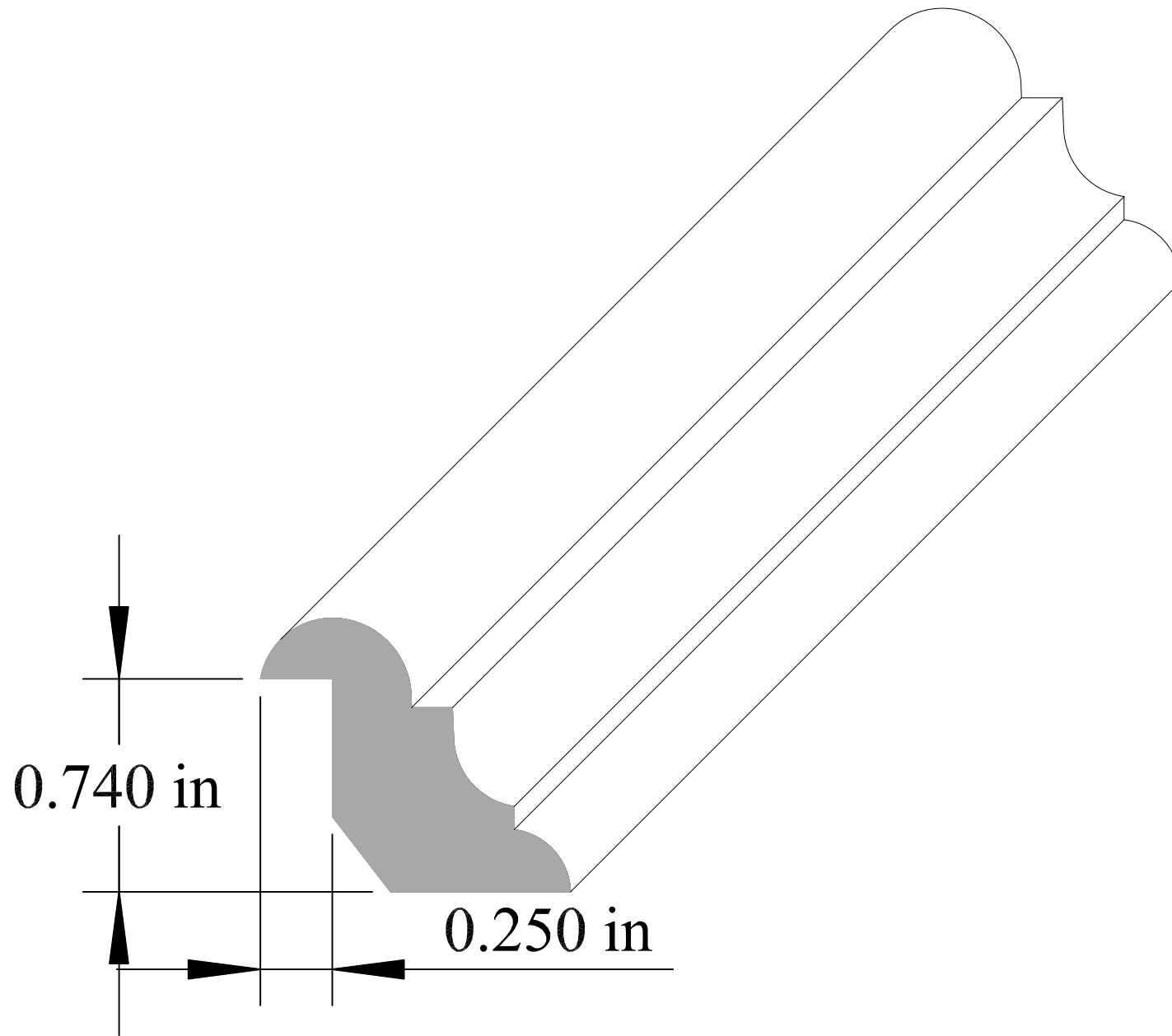


PM 1254 3/4 X 1 1/4

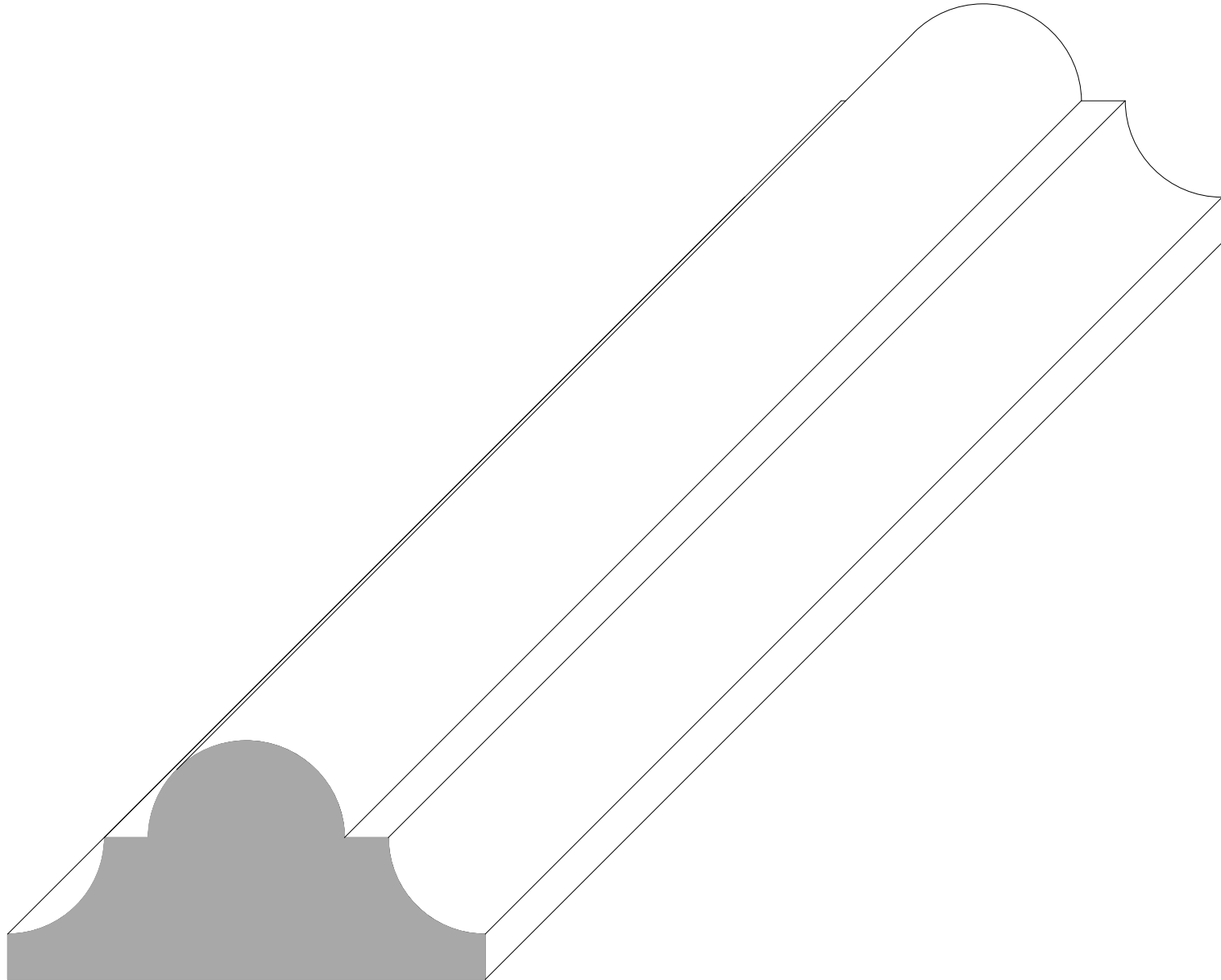


PM 1314 9/16 x 1-5/16

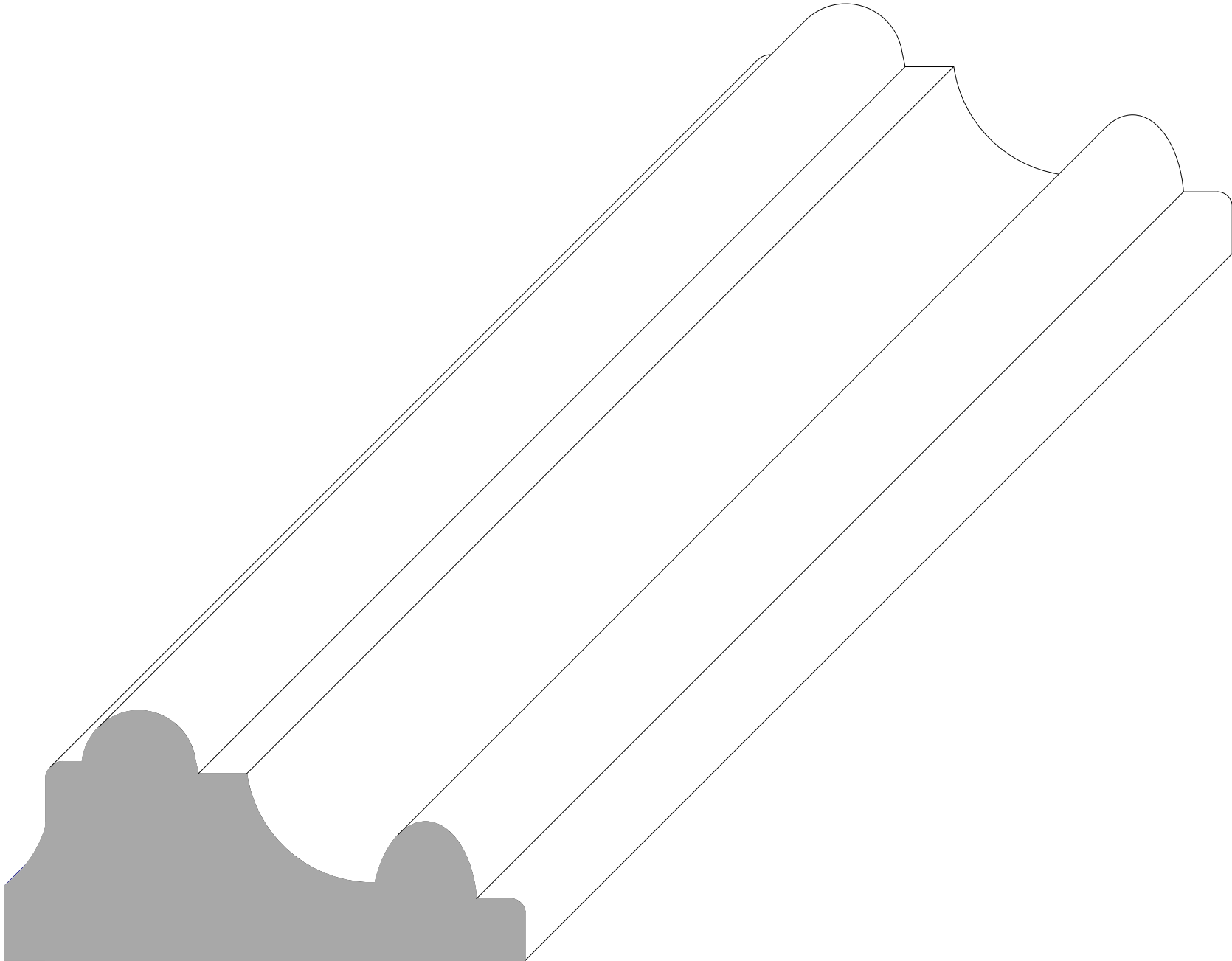
1 X 1-1/16 APPLIED



PM 1379 11/16 x 1 3/8

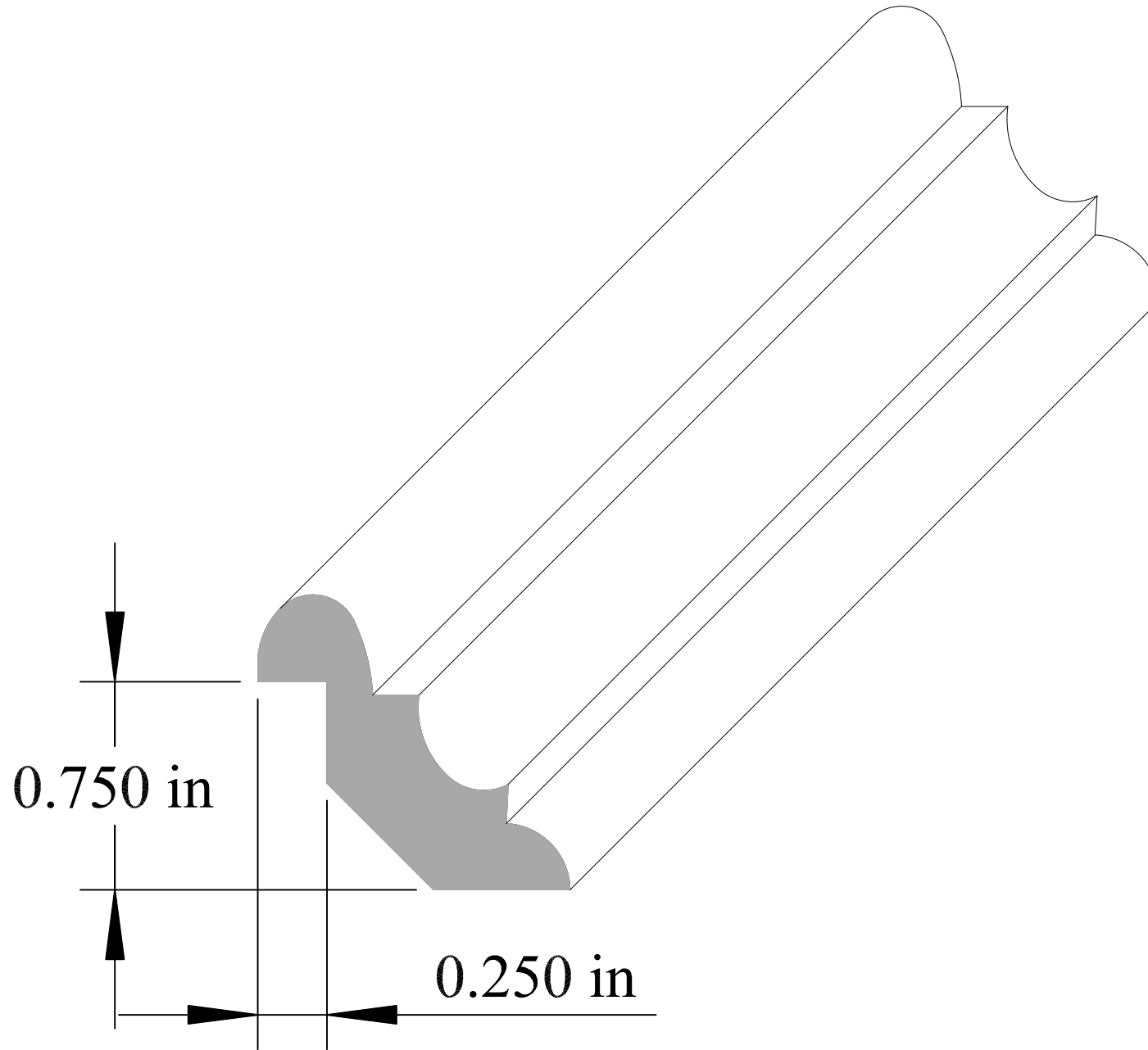


PM 1439 $3/4$ x $1-9/16$

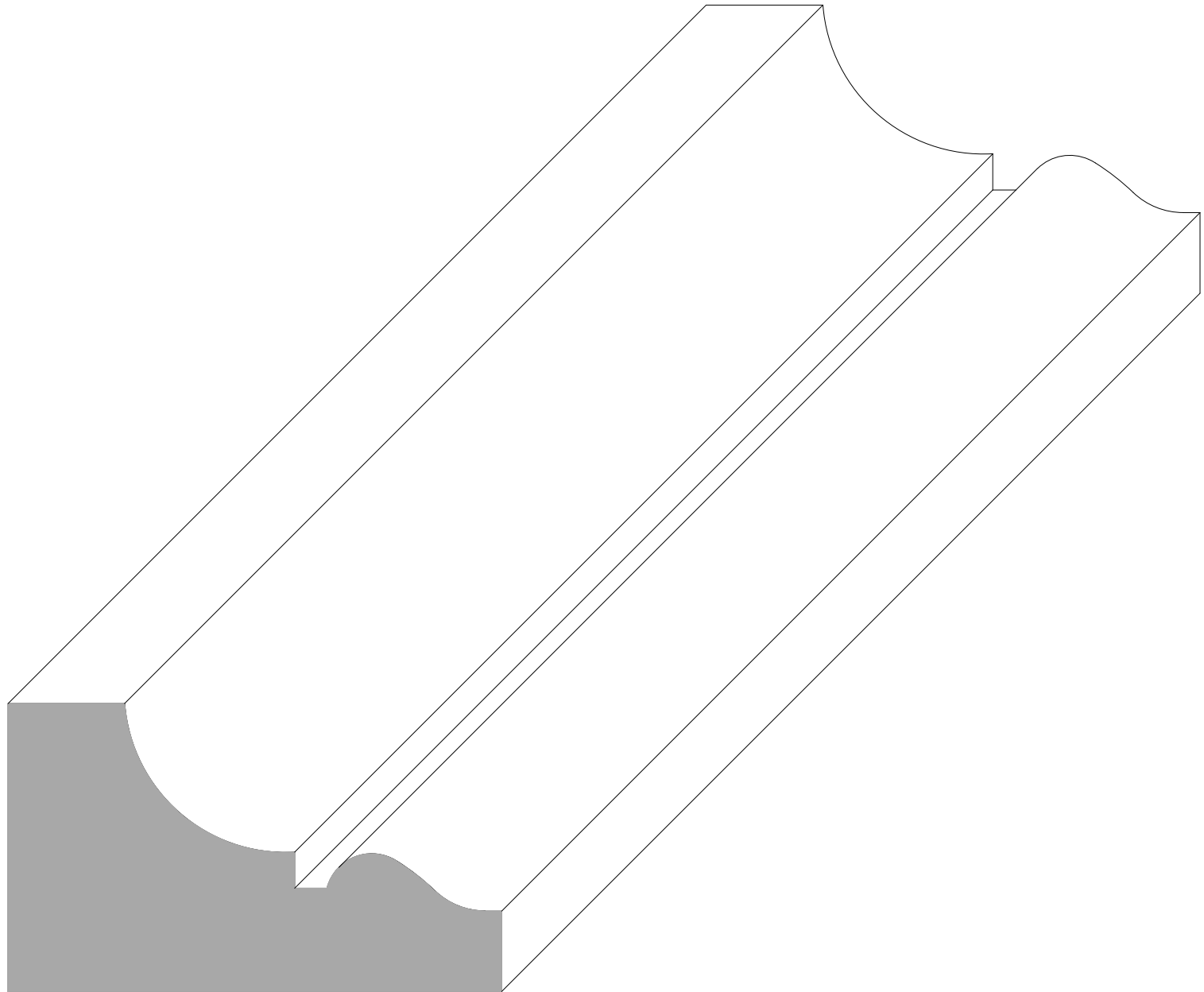


PM 1455 1/2 x 1 1/2

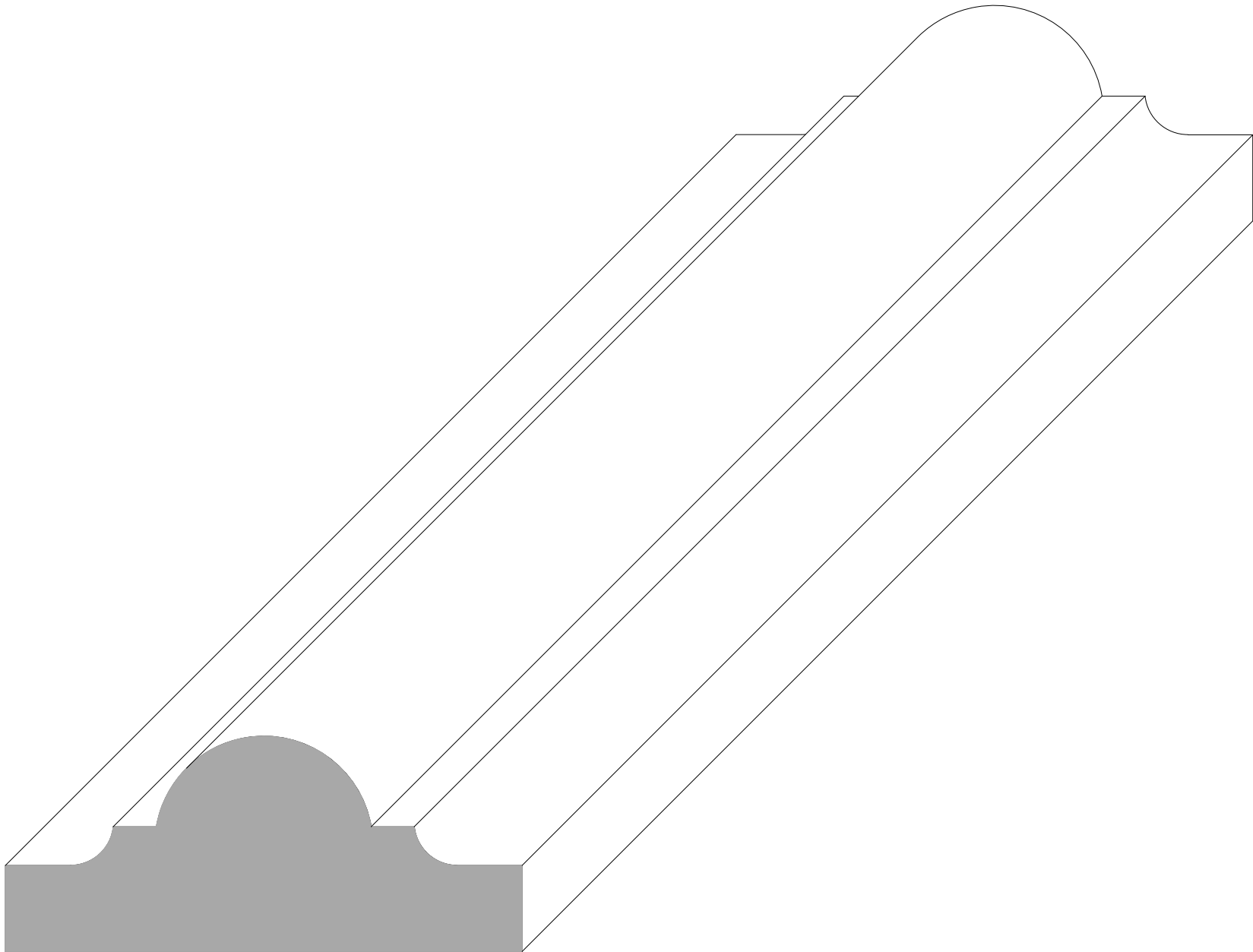
1-1/16 X 1-1/8 APPLIED



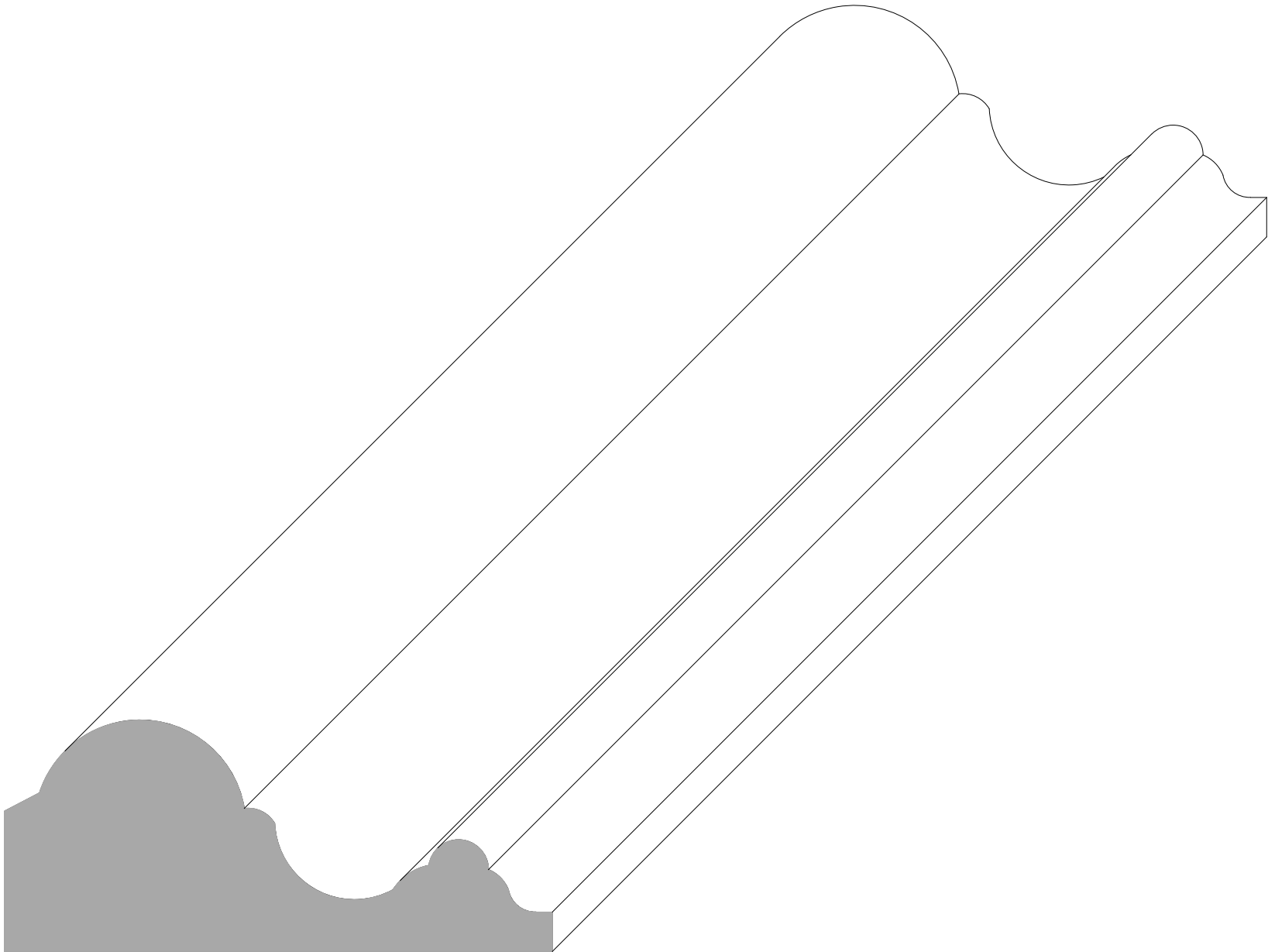
PM 1509 7/8 x 1 1/2



PM 1515 5/8 x 1 1/2

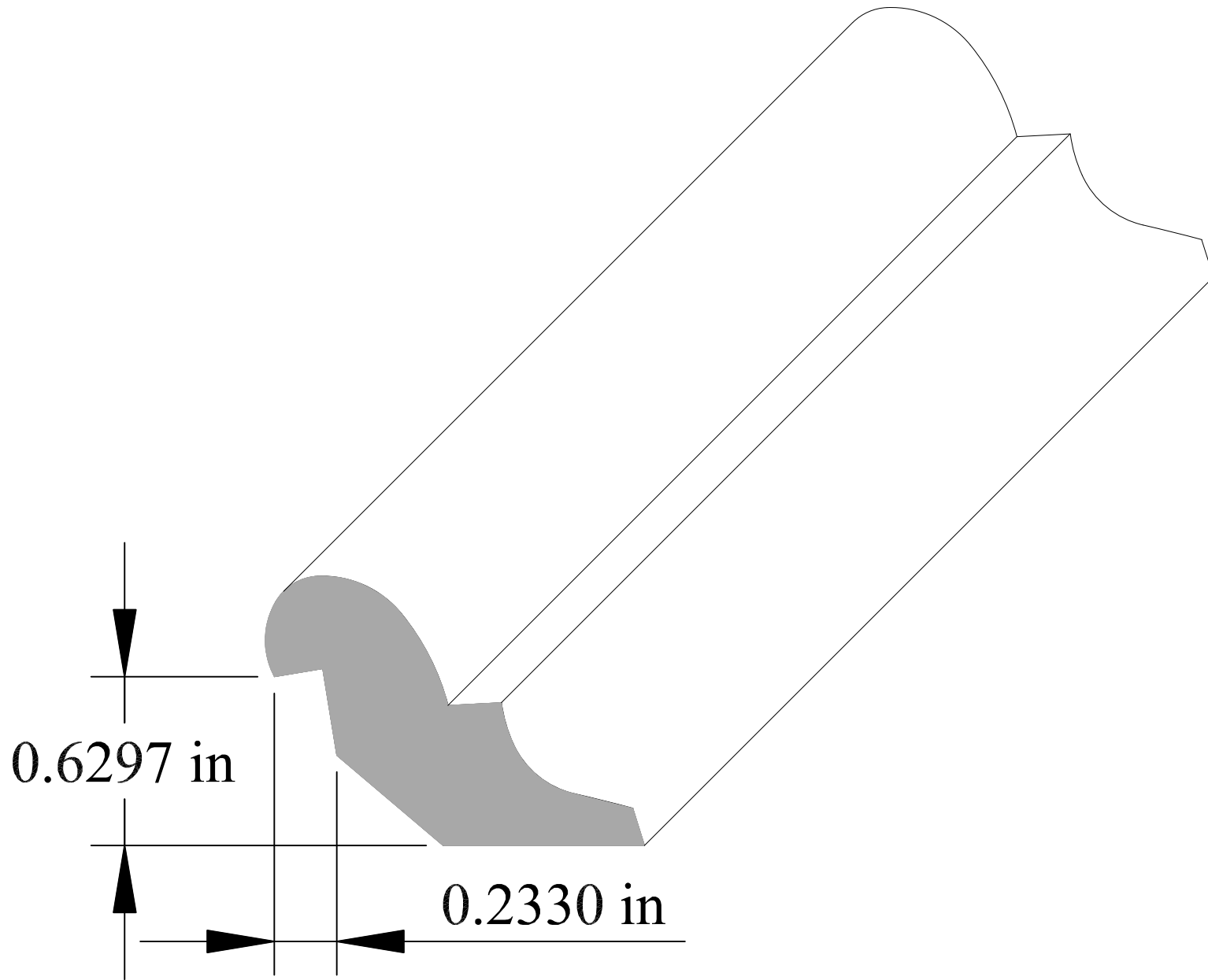


PM 1590 1 1/16 X 1 5/8

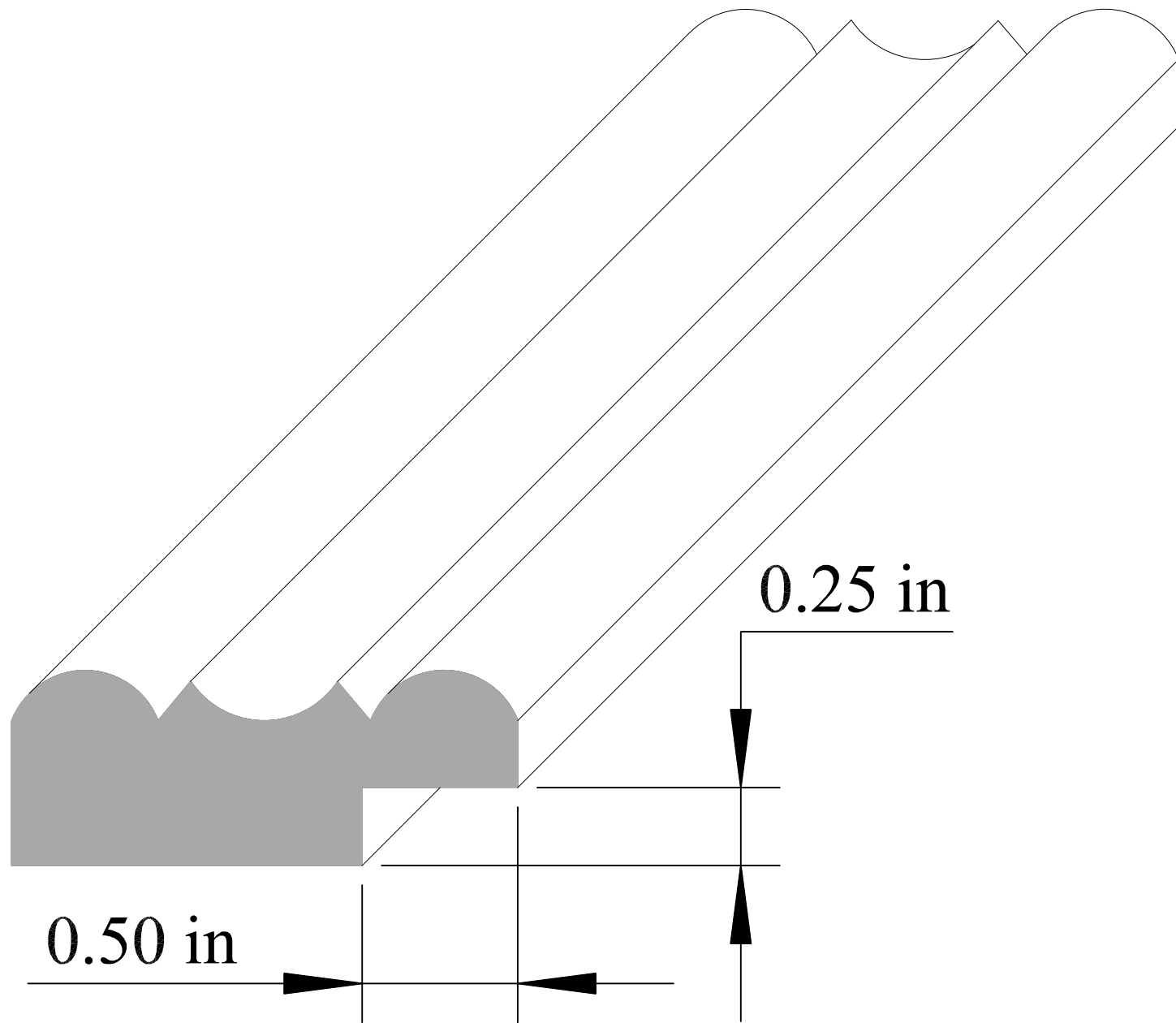


PM 1628 9/16 x 1 5/8

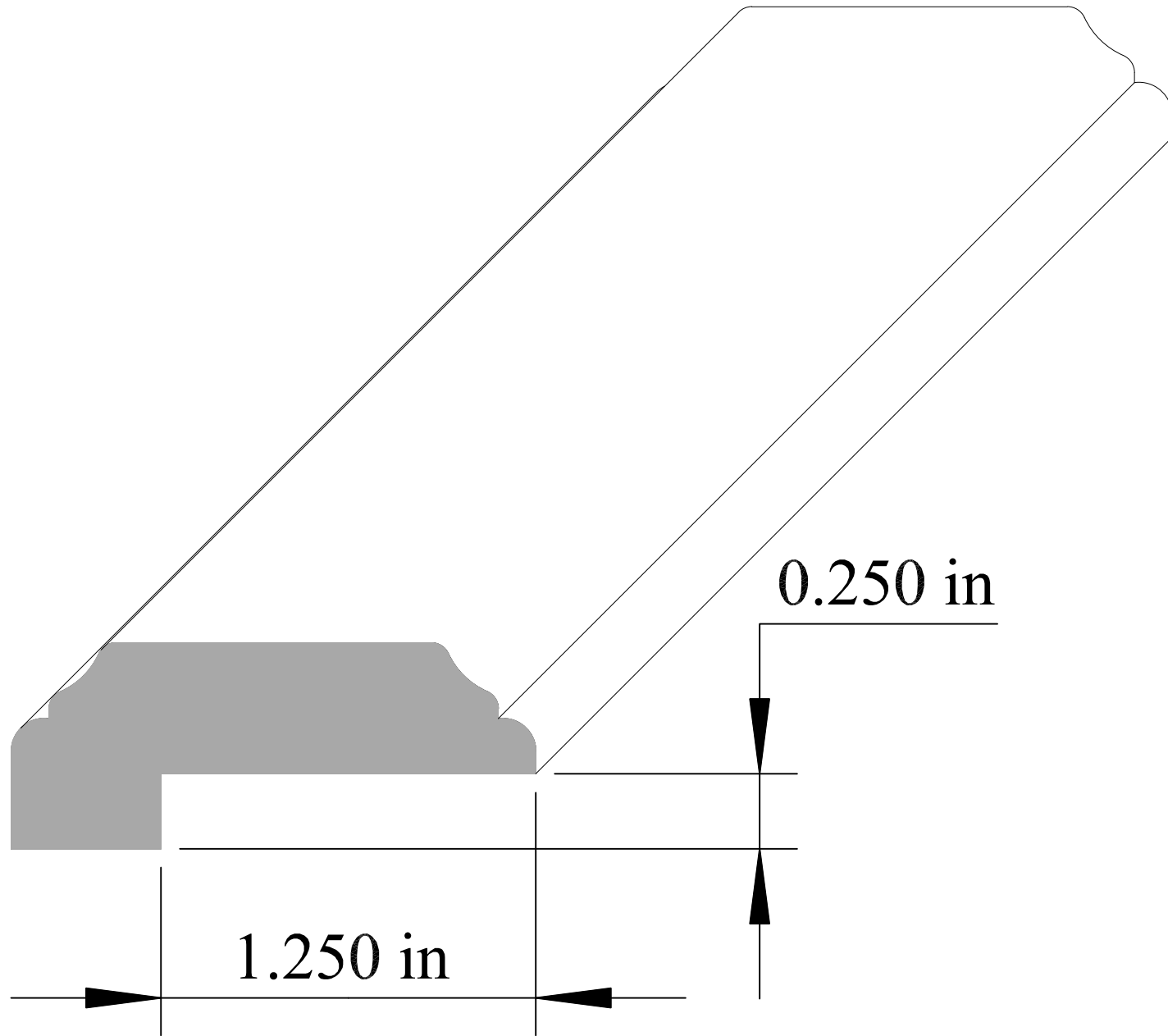
1 X 1-7/16 APPLIED



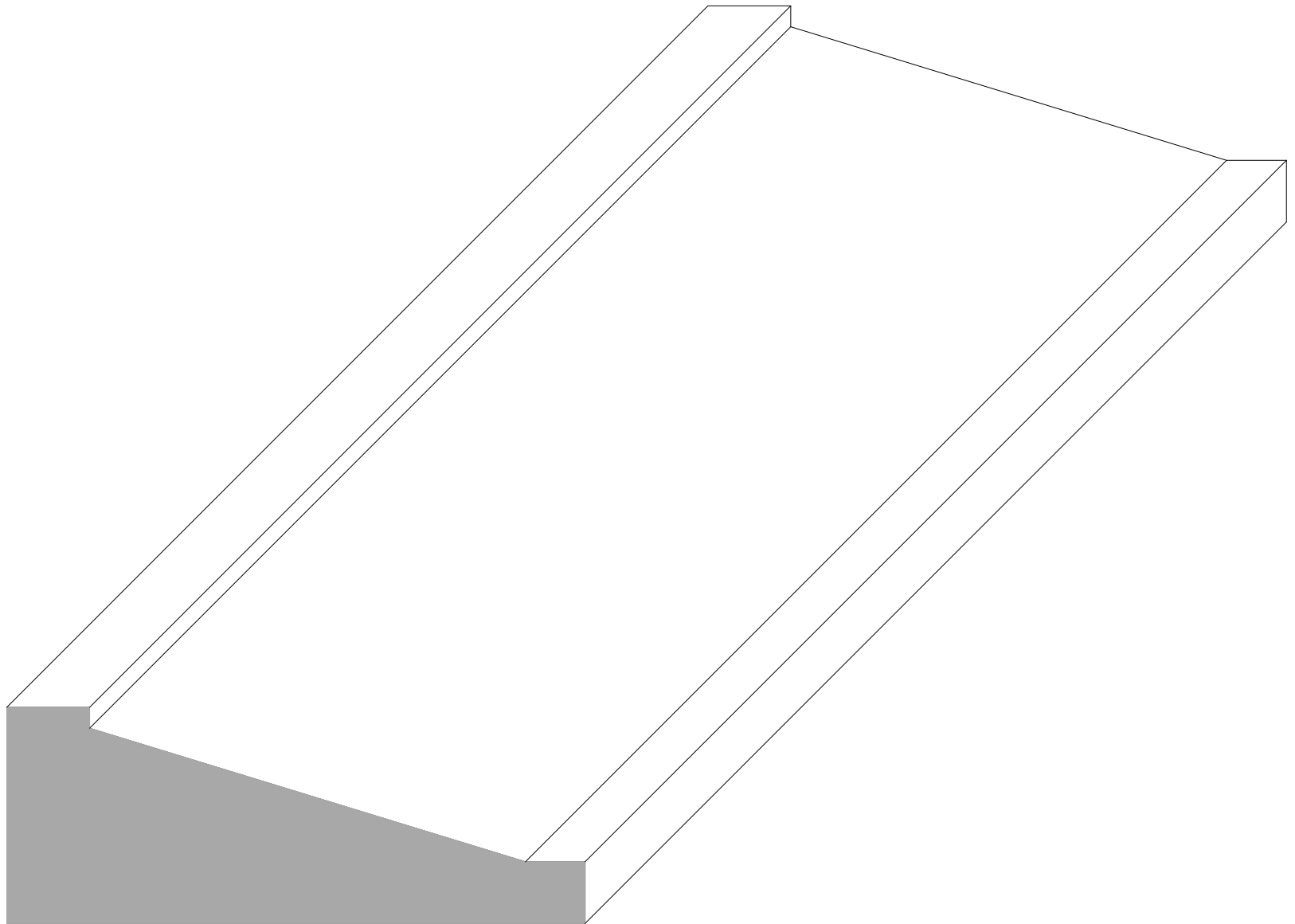
PM 1629 5/8 X 1-5/8



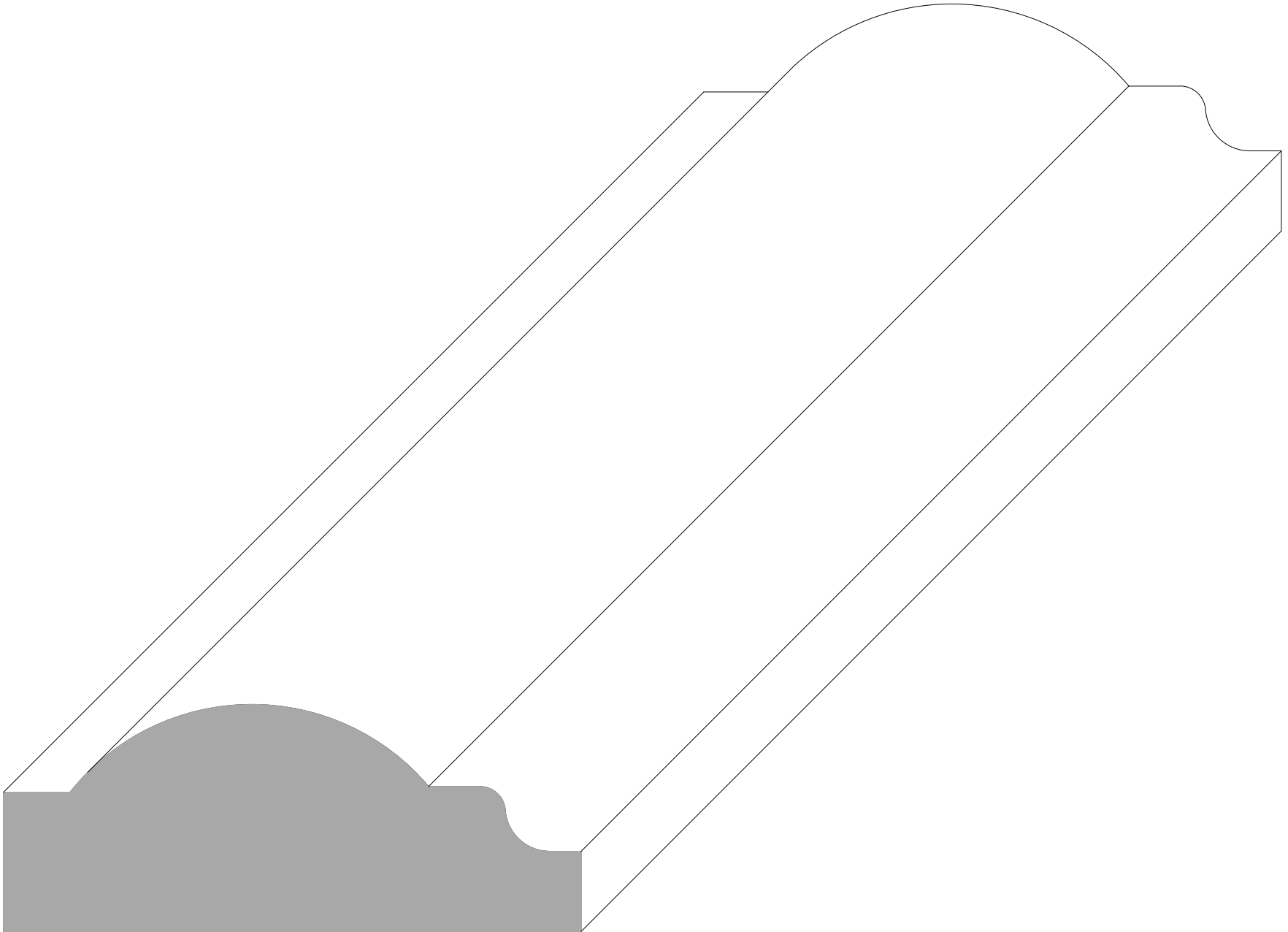
PM 1750 11/16 X 1-3/4



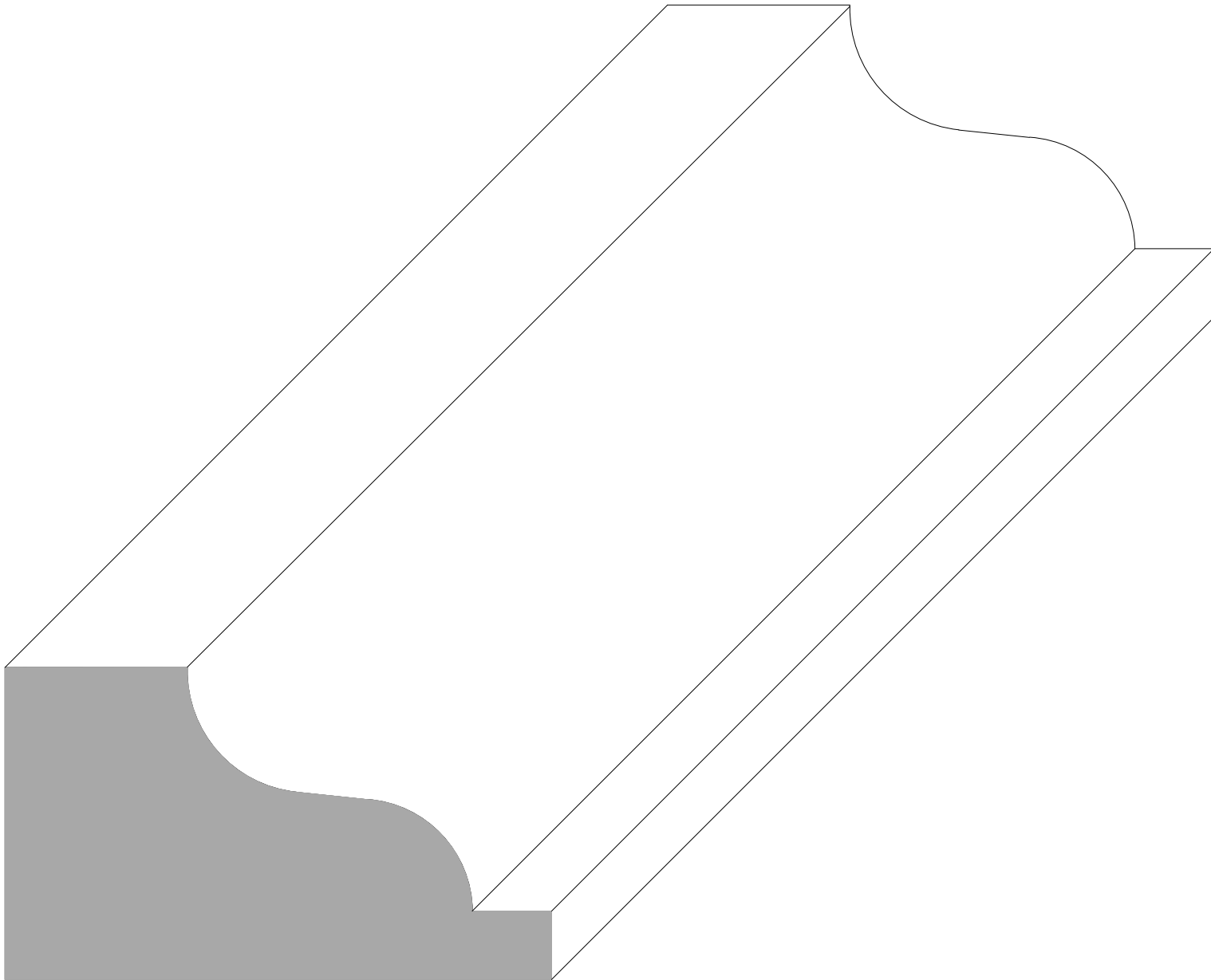
PM 1757 21/32 X 1-3/4



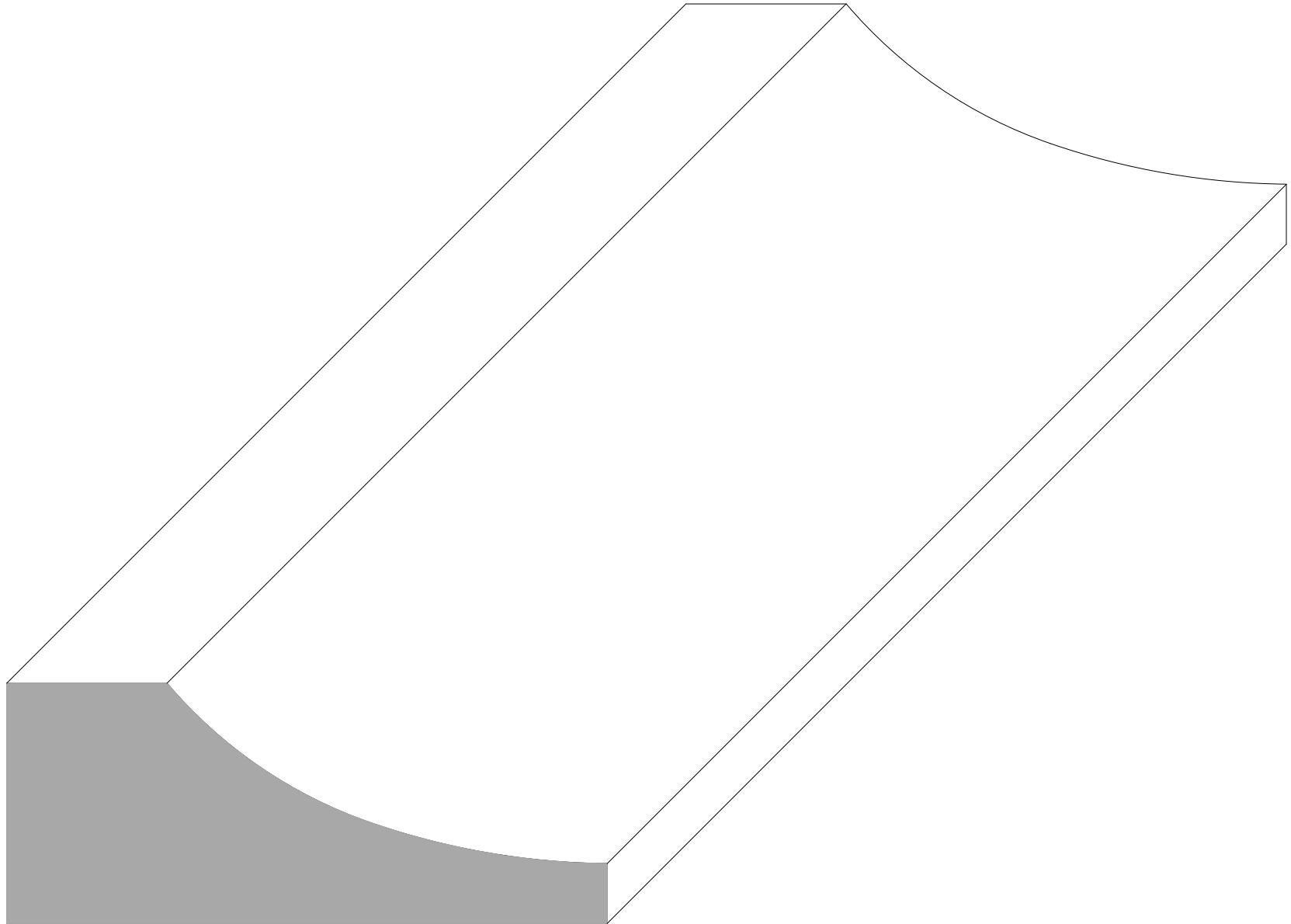
PM 1766 11/16 x 1-3/4



PM 1771 1 X 1-3/4

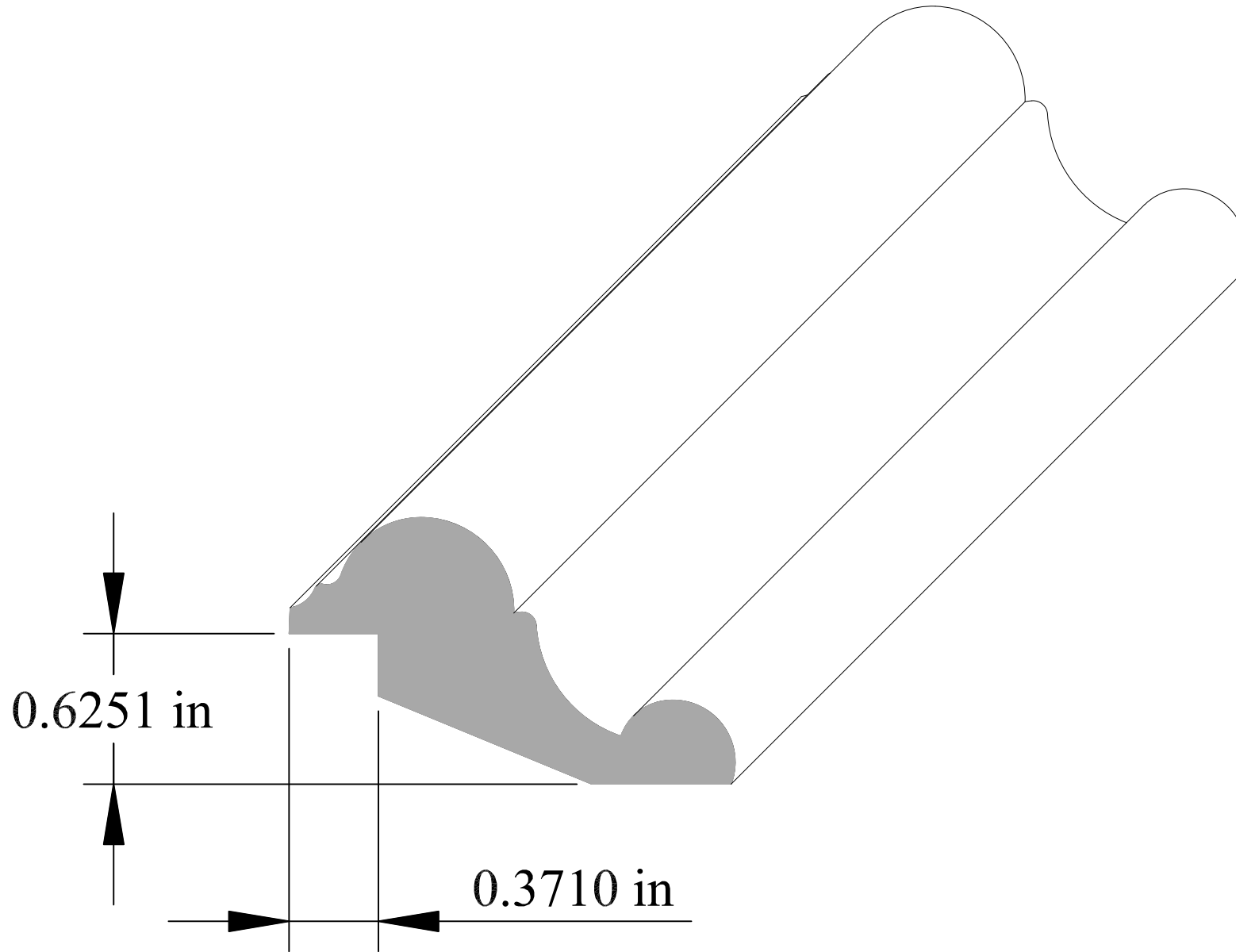


PM 1875 3/4 x 1 7/8

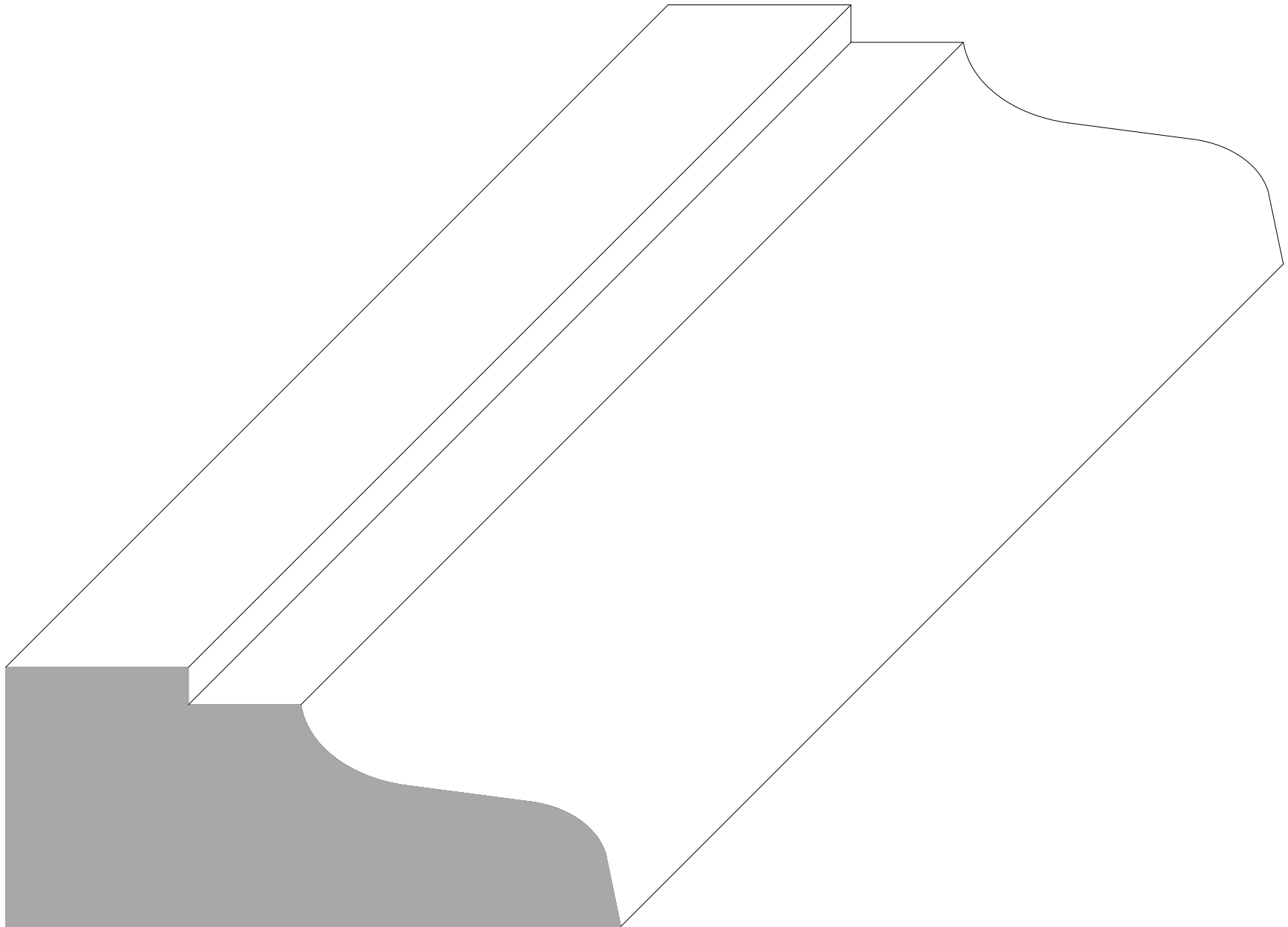


PM 1970 25/32 x 1.970

1-1/8 X 1-7/8 APPLIED

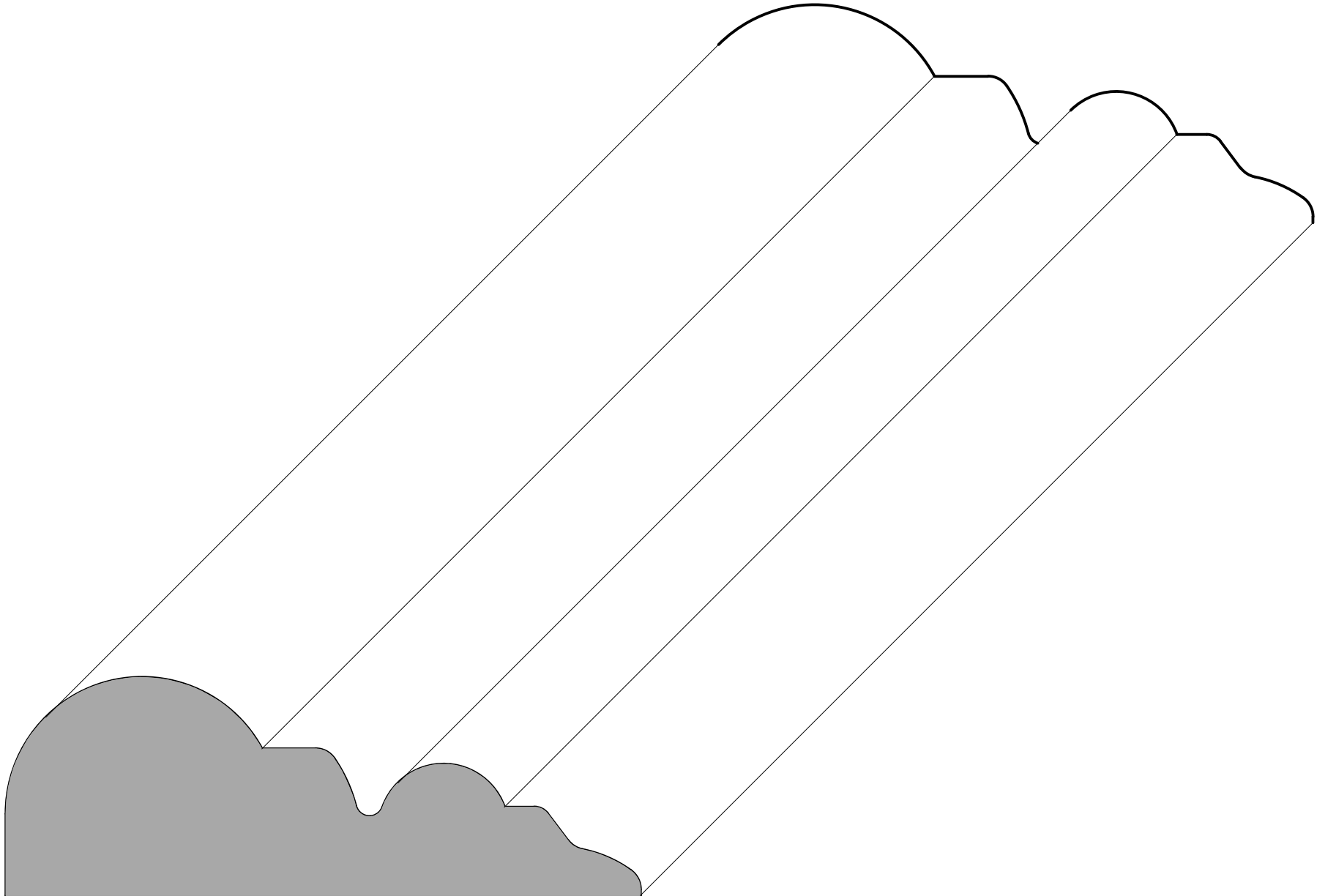


PM 1971 13/16 x 1.970

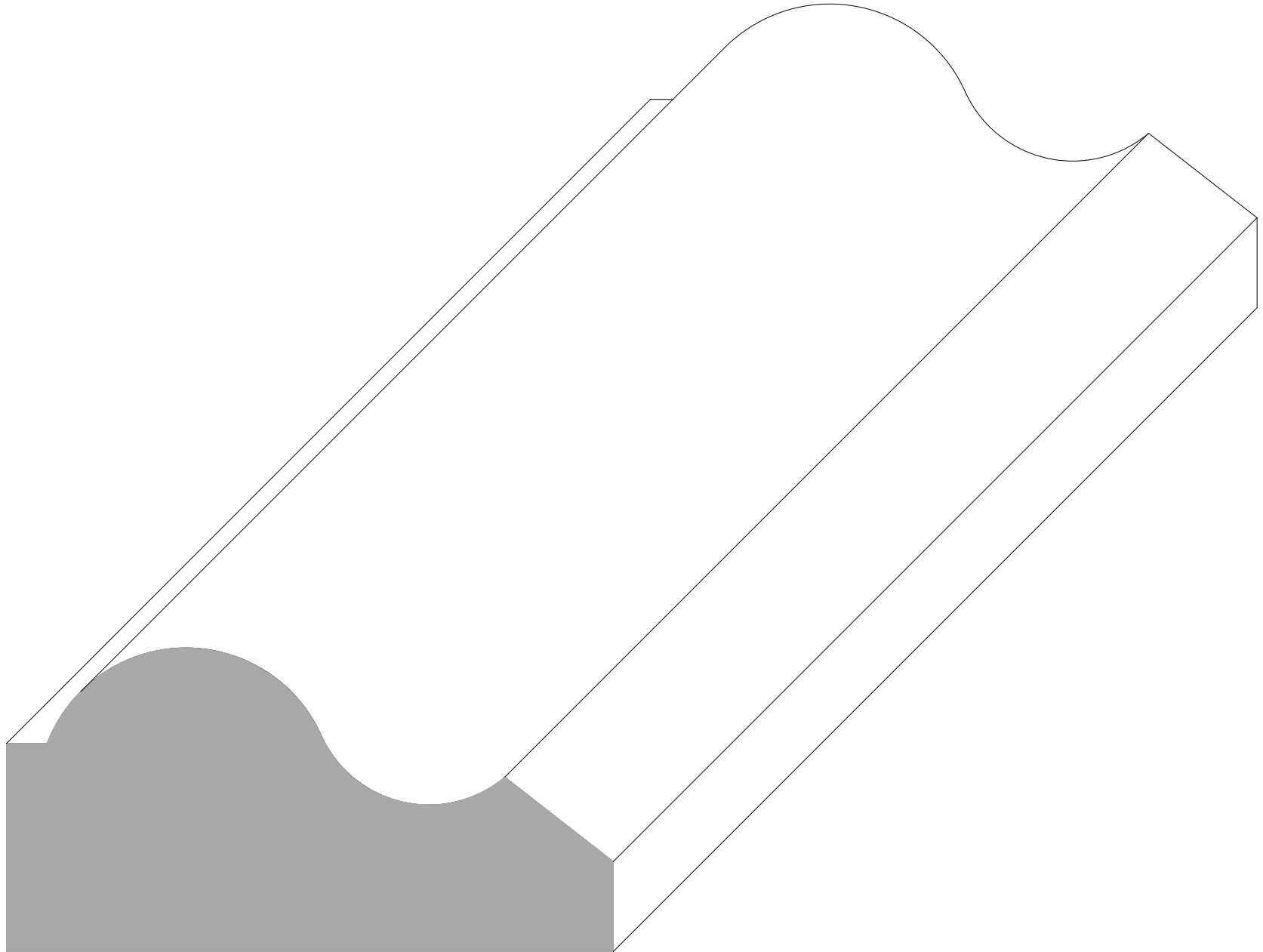


PM 2002

11/16 x 2

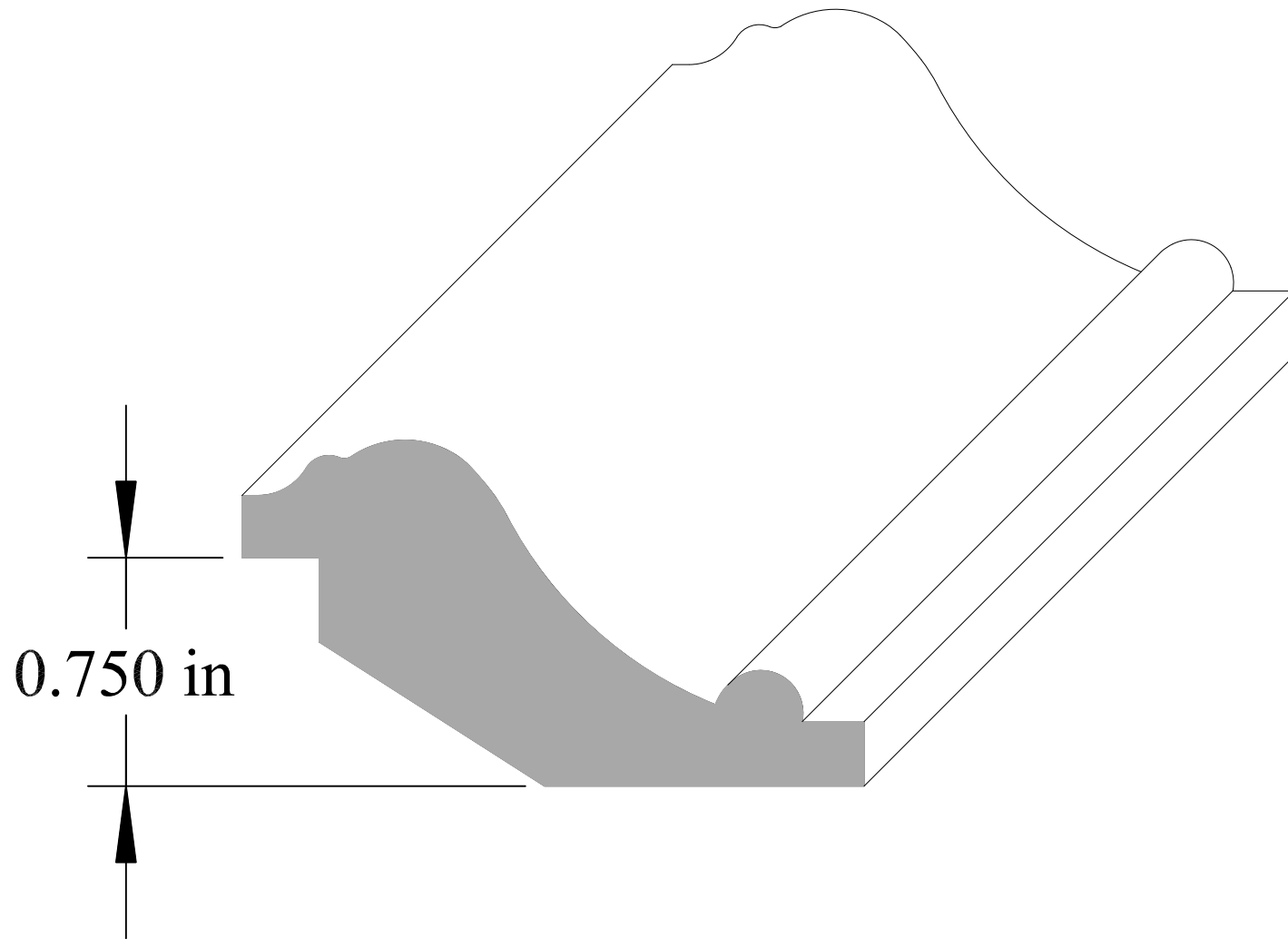


PM 2010 1 x 2



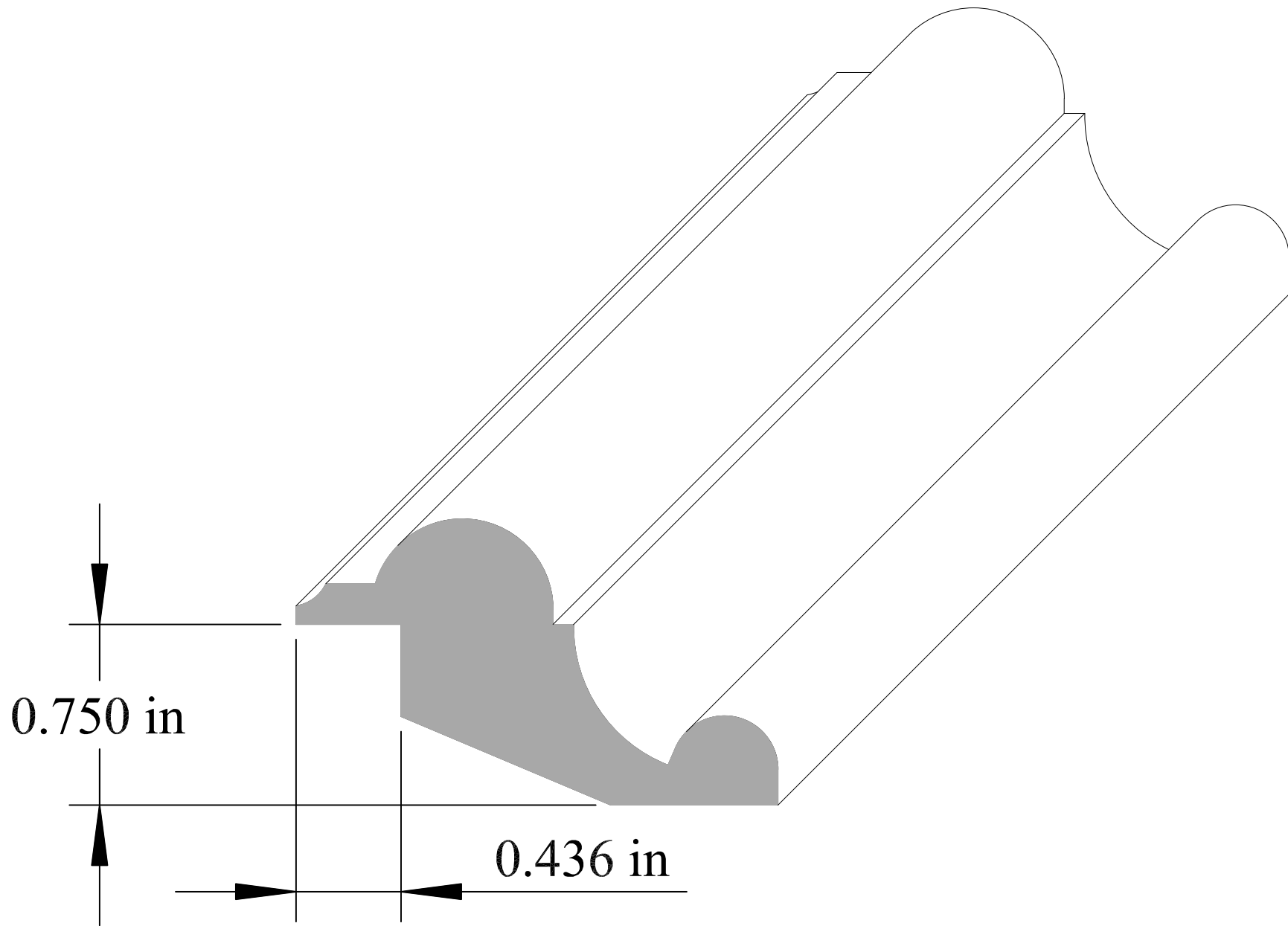
PM 2014 3/4 x 2-1/4

Applied: 1-1/8 x 2-1/16

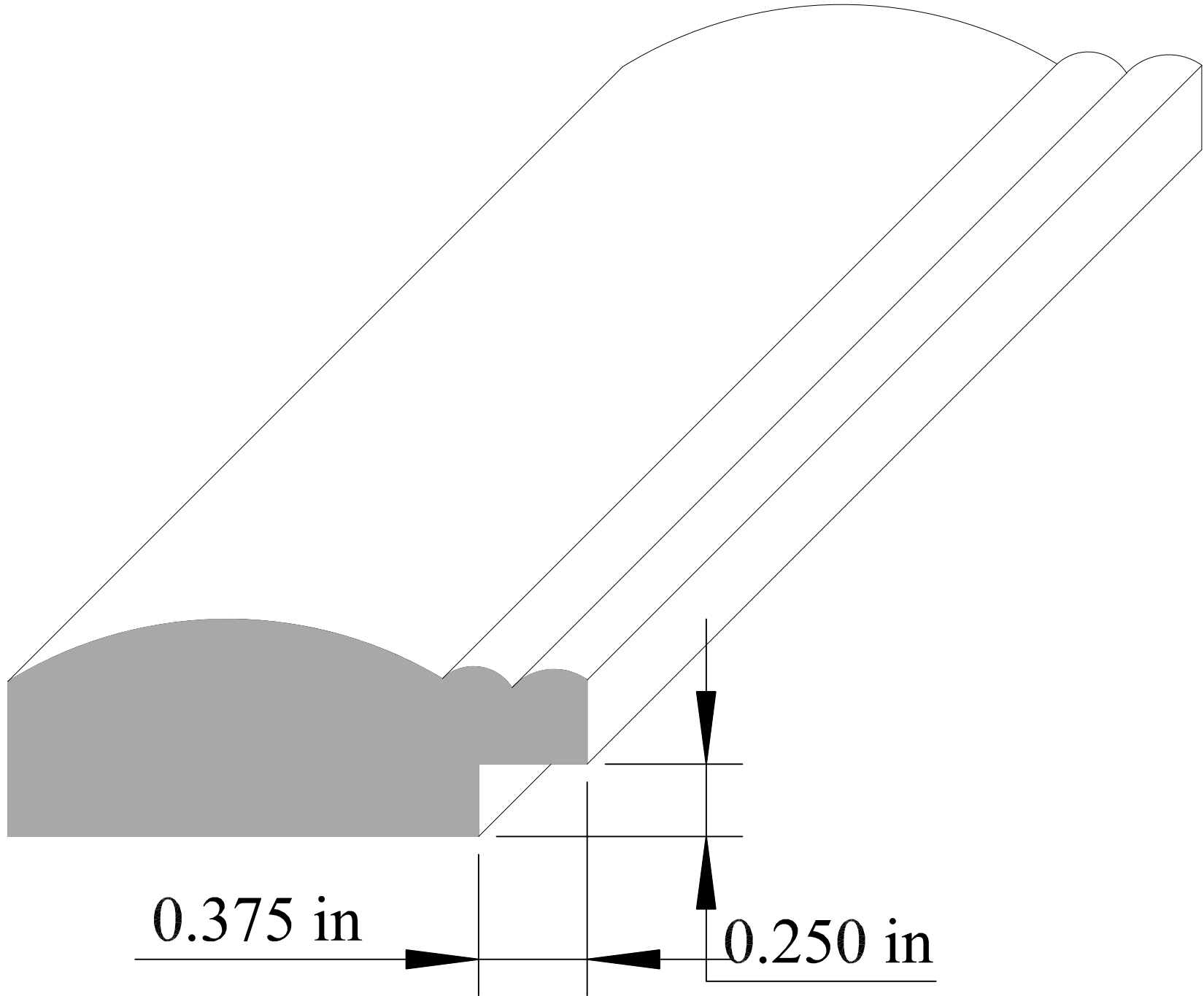


PM 2019 .884 x 2.164

1-3/16 X 2 APPLIED

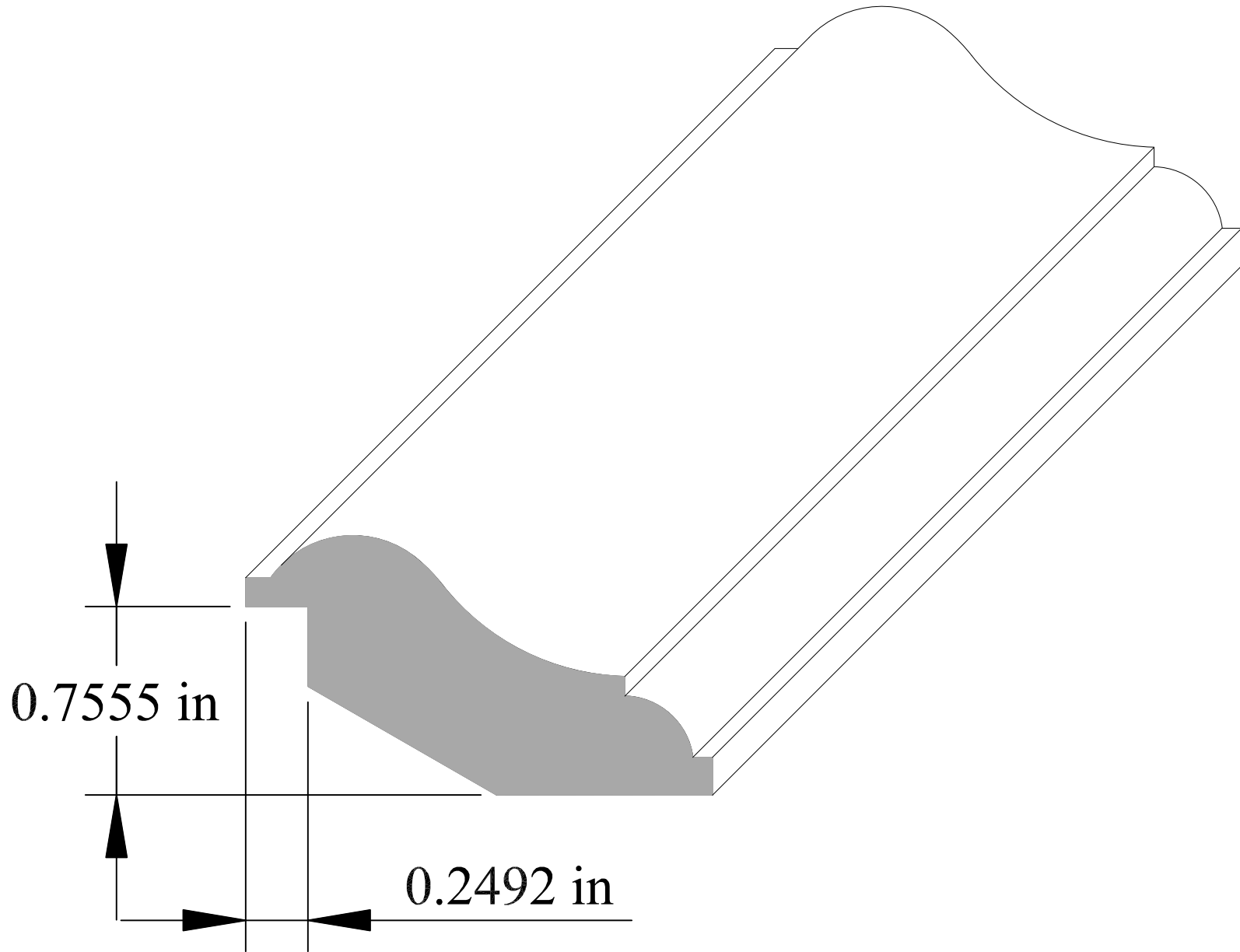


PM 2022 3/4 x 2

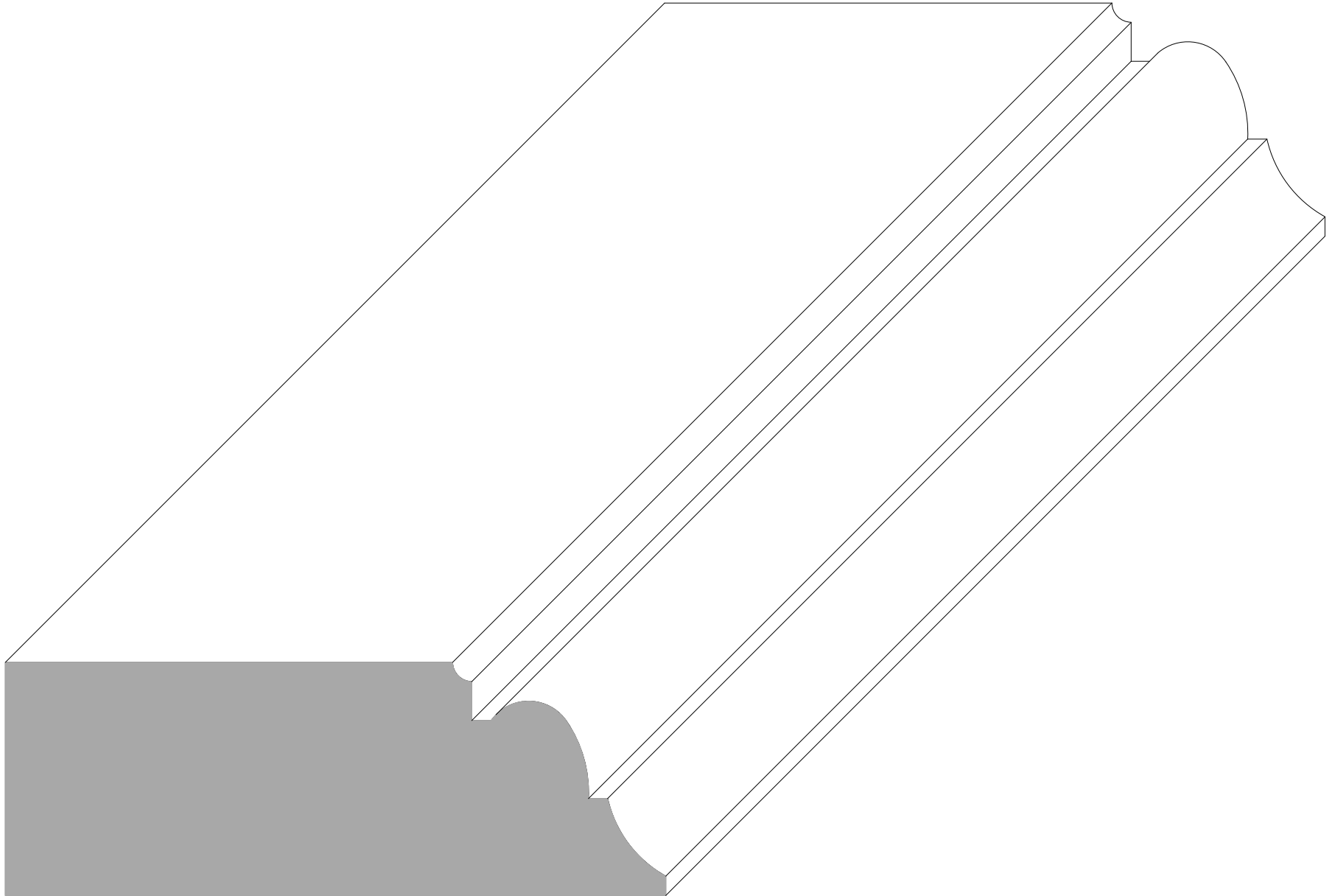


PM 2062 11/16 X 2-1/16

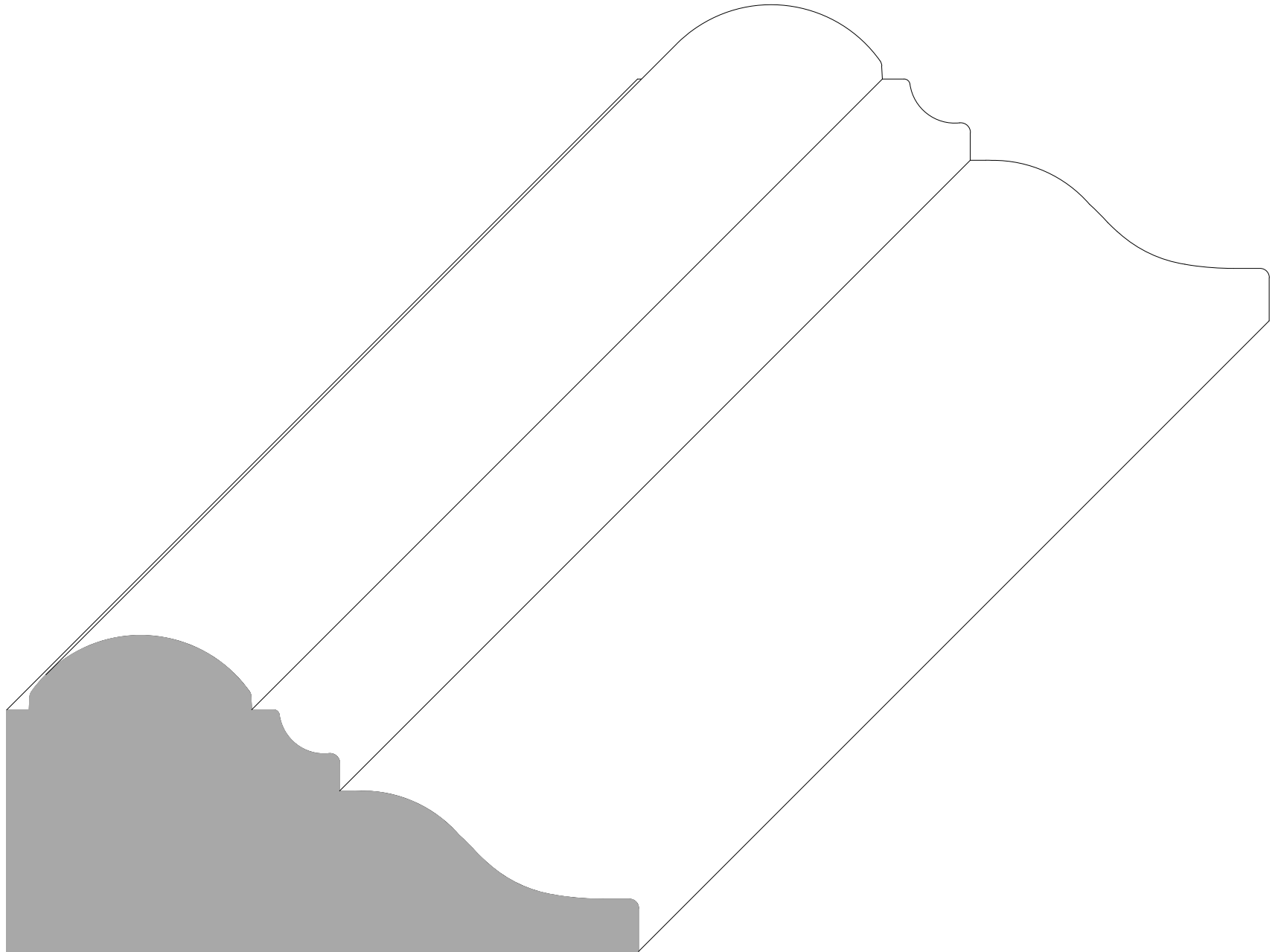
1-1/16 X 1-7/8 APPLIED



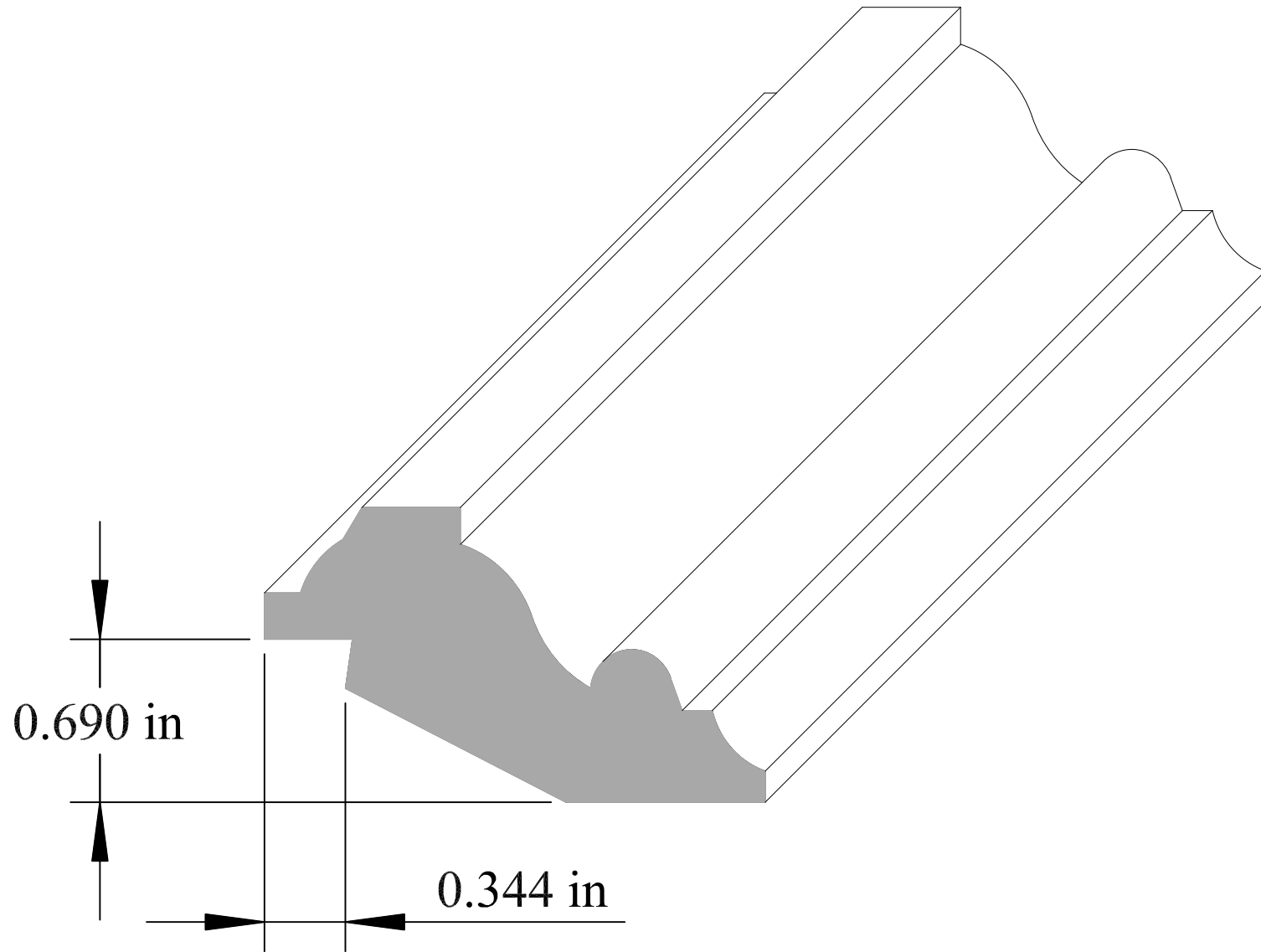
PM 2127 3/4 x 2 1/8



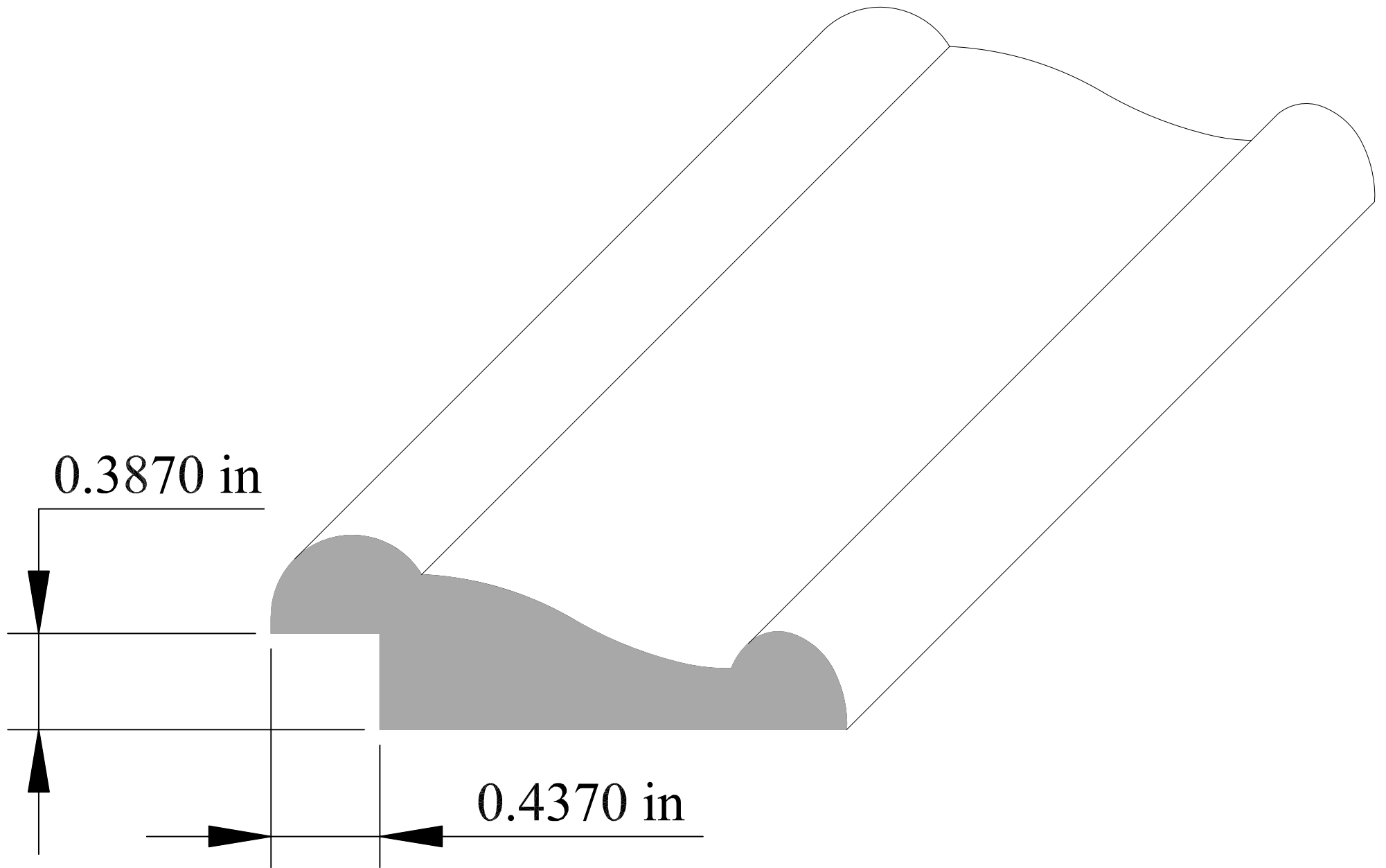
PM 2128 1 1/16 x 2 1/8



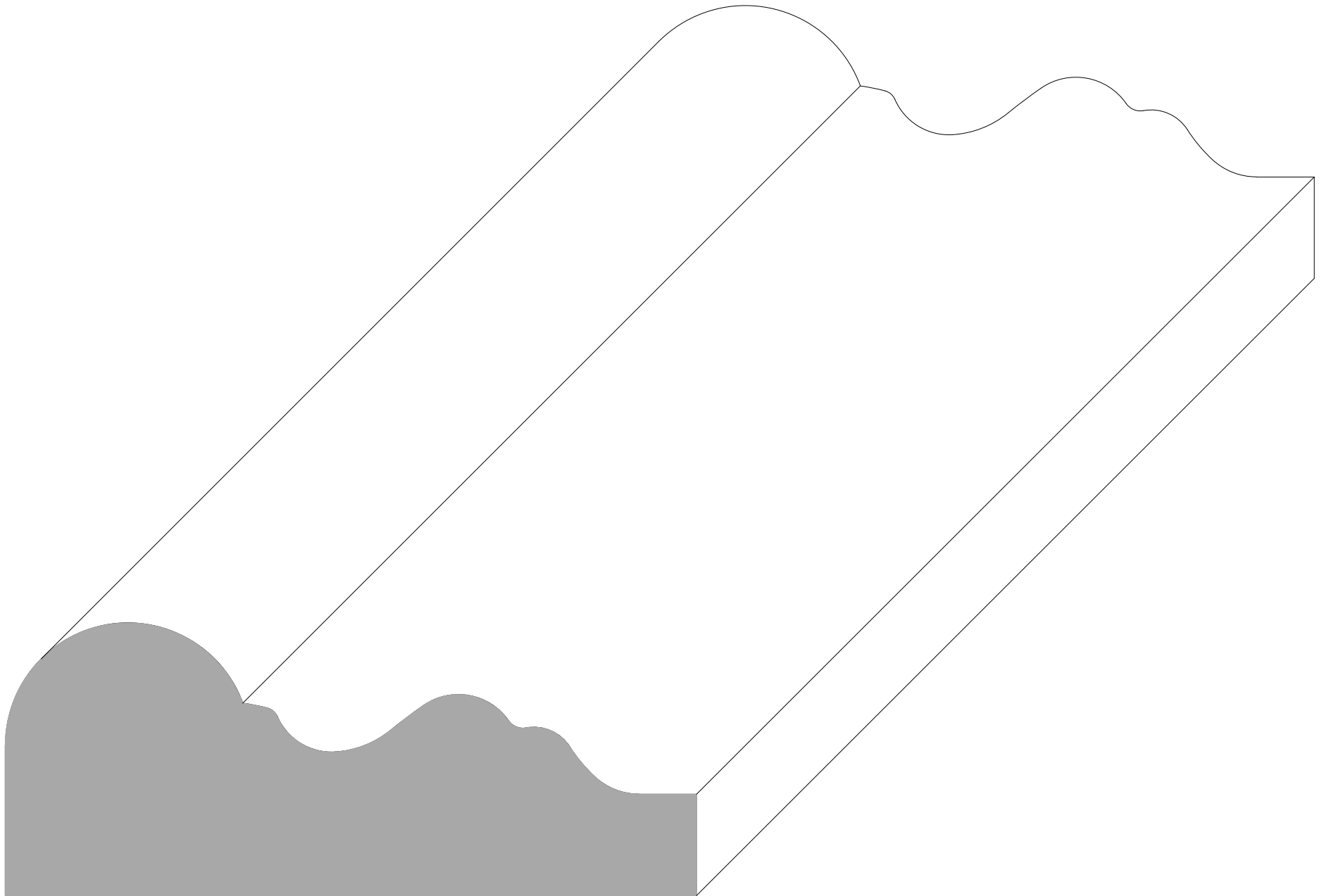
PM 2129 1-1/4 x 2-1/8



PM 2313 25/32 x 2 5/16

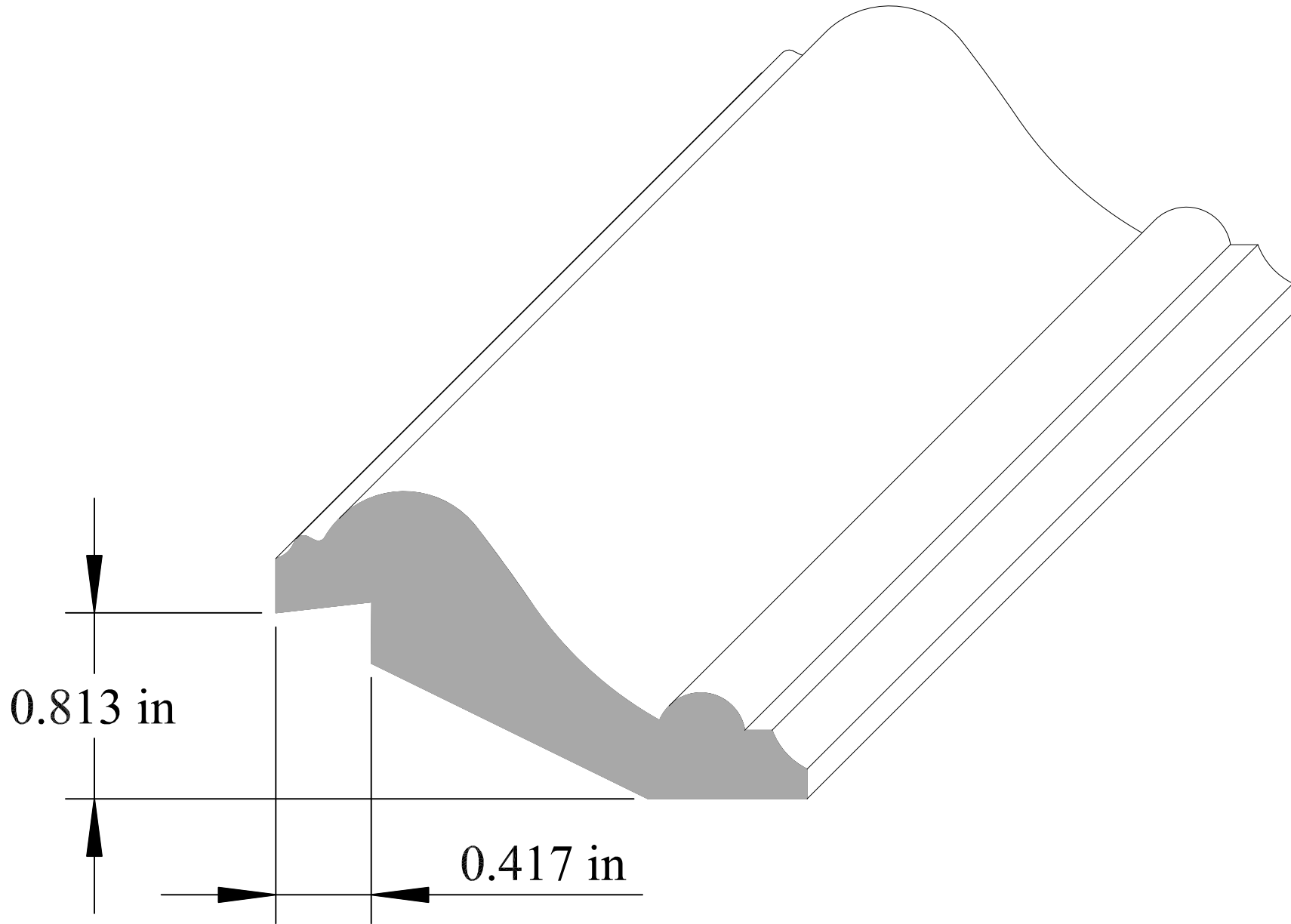


PM 2375 15/16 x 2 3/8



PM 2501 25/32 X 2-17/32

1-3/8 X 2-5/16 APPLIED



PM 2504 1 1/16 x 2 1/2

